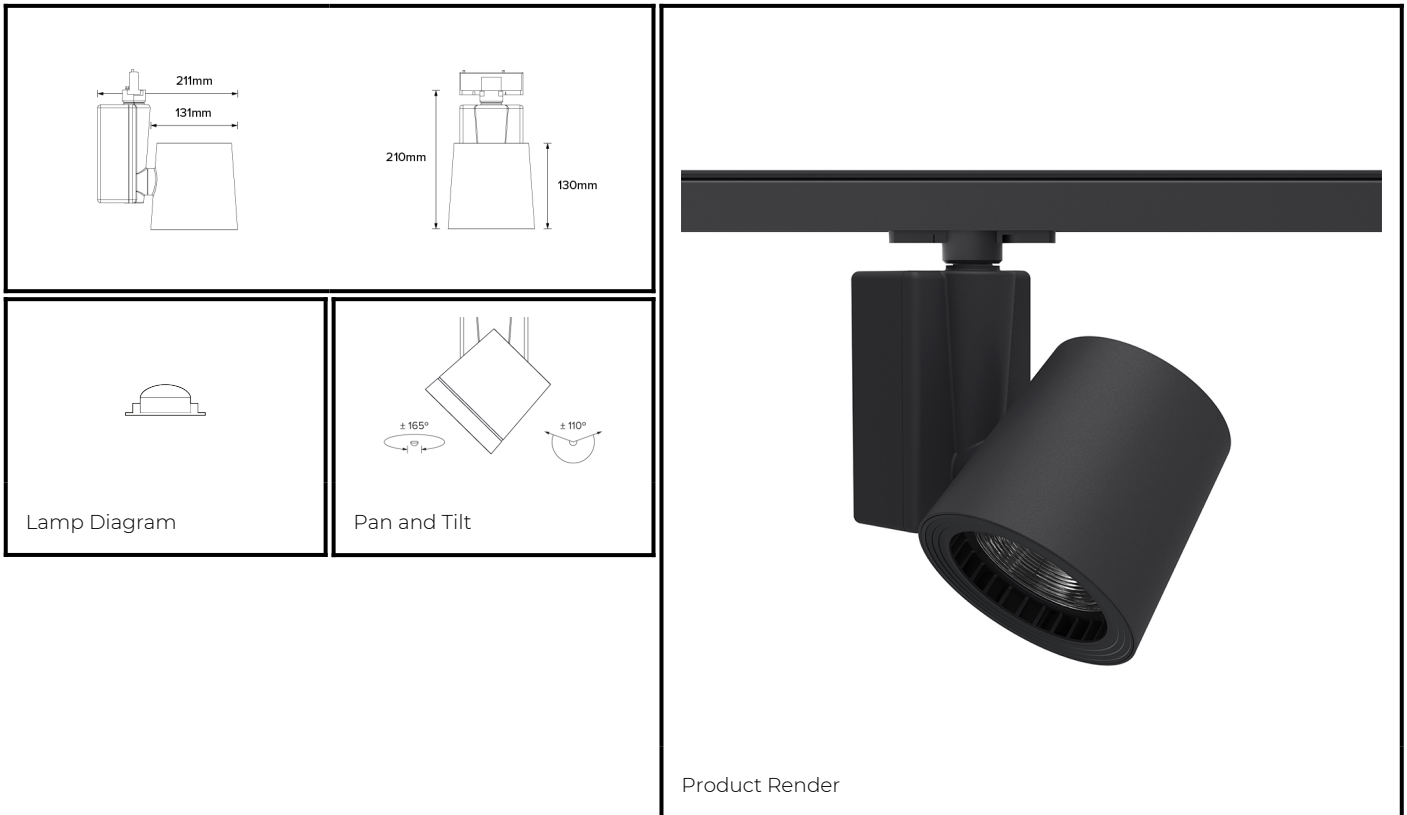


# DRX2; 2-Circuit Track LED 7° Optic 36W



|                           |                                 |  |
|---------------------------|---------------------------------|--|
| <b>PHYSICAL</b>           | <b>CONSTRUCTION MATERIALS:</b>  | A380 Aluminium, Glass-filled Polycarbonate |
|                           | <b>MOUNTING:</b>                | 2-Circuit Track                            |
|                           | <b>WEIGHT:</b>                  | 1.9 kg                                     |
|                           | <b>FINISH:</b>                  | Black RAL9005                              |
|                           | <b>MAX AMBIENT TEMPERATURE:</b> | 40°C                                       |
|                           | <b>CEILING CLEARANCE:</b>       | n/a  |
|                           | <b>CEILING CUT-OUT:</b>         | n/a  |
| <b>CEILING THICKNESS:</b> | n/a                             |  |

|                |                        |             |
|----------------|------------------------|-------------|
| <b>CONTROL</b> | <b>MOVEMENT TYPE:</b>  | RCL Control |
|                | <b>DIMMING OPTION:</b> | RCL Control |

**SPECIFICATION** DRX2 3000K LED (25W for light source) compact spotlight for 2-Circuit Eutrac with 7° optic. Manufactured from A380 aluminium and glass-filled polycarbonate. Finished in black (RAL 9005). Voltage is 100-240V 50/60HZ. Luminaire has high-performance colour rendering of 90+ CRI. Luminaire can be rotated, with +/- 165° movement through the pan axis and +/- 110° through the tilt axis, at a resolution of less than 1° in either axis. Movement and dimming is controlled using RCL Control iOS App. Recording and recalling of scenes as standard. Product is ETL listed to UL1574 and CSA C22.2#9.0 standards.

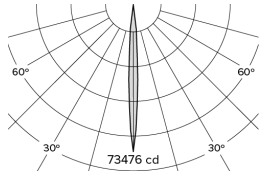
PART NO.

**DRX2.0060.US**

**PRODUCT SUMMARY**

DRX2 Spotlight; USA; 100-240V 50/60Hz; 2~ Eutrac; 7° Optic; 3000K 90+CRI COB LED 25W; Black; Movement & Dimming using RCL Control

# DRX2; 2-Circuit Track LED 7° Optic 36W



Photometry



Cone Diagram

|                 |                                  |             |
|-----------------|----------------------------------|-------------|
| <b>MOVEMENT</b> | <b>MOVEMENT TYPE:</b>            | RCL Control |
|                 | <b>PAN MOVEMENT RANGE:</b>       | ±165°       |
|                 | <b>TILT MOVEMENT RANGE:</b>      | ±110°       |
|                 | <b>PAN MOVEMENT RESOLUTION:</b>  | <1°         |
|                 | <b>TILT MOVEMENT RESOLUTION:</b> | <1°         |
|                 | <b>PAN SPEED OF MOVEMENT:</b>    | 24°/s       |
|                 | <b>TILT SPEED OF MOVEMENT:</b>   | 22°/s       |

|                     |                                   |        |
|---------------------|-----------------------------------|--------|
| <b>LIGHTING</b>     | <b>LIGHT SOURCE:</b>              | LED    |
|                     | <b>MIN. DISTANCE FROM TARGET:</b> |        |
|                     | <b>MODULE LUMEN OUTPUT:</b>       | 2200LM |
|                     | <b>ABSOLUTE LUMEN OUTPUT:</b>     | 1814LM |
|                     | <b>GLARE MECHANICAL CUT-OFF:</b>  | 11°    |
|                     | <b>GLARE COMFORT CUT-OFF:</b>     | 53°    |
| <b>COLOUR TEMP:</b> | 3000K                             |        |

|                   |                                   |                  |
|-------------------|-----------------------------------|------------------|
| <b>ELECTRICAL</b> | <b>VOLTAGE REGION:</b>            | 100-240V 50/60Hz |
|                   | <b>IEC PROTECTION CLASS:</b>      | Class 1          |
|                   | <b>LIGHT SOURCE WATTAGE:</b>      | 25W              |
|                   | <b>MOVEMENT WATTAGE:</b>          | 4W               |
|                   | <b>LUMINAIRE CIRCUIT WATTAGE:</b> | 36W              |

PART NO.

**DRX2.0060.US**

**PRODUCT SUMMARY**

DRX2 Spotlight; USA; 100-240V 50/60Hz; 2~ Eutrac; 7° Optic; 3000K 90+CRI COB LED 25W; Black; Movement & Dimming using RCL Control