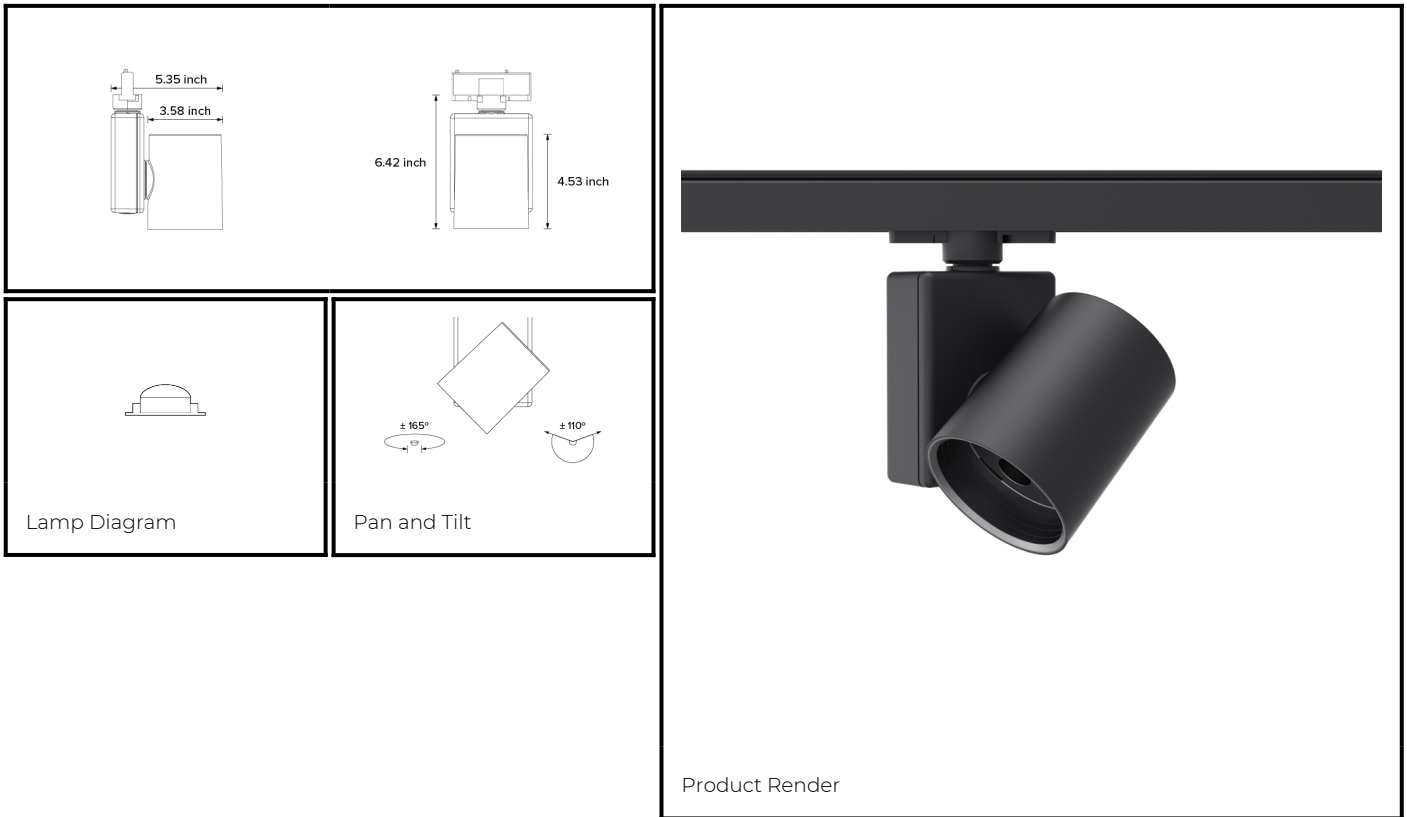


# DRX1; 1-Circuit Track LED 4° Optic 15W



<b>PHYSICAL</b>	<b>CONSTRUCTION MATERIALS:</b>	A380 Aluminium, Glass-filled Polycarbonate
	<b>MOUNTING:</b>	1-Circuit Track
	<b>WEIGHT:</b>	1.2 kg
	<b>FINISH:</b>	Black RAL9005
	<b>MAX AMBIENT TEMPERATURE:</b>	40°C
	<b>CEILING CLEARANCE:</b>	n/a
	<b>CEILING CUT-OUT:</b>	n/a
<b>CEILING THICKNESS:</b>	n/a	

<b>CONTROL</b>	<b>MOVEMENT TYPE:</b>	Handheld
	<b>DIMMING OPTION:</b>	Handheld

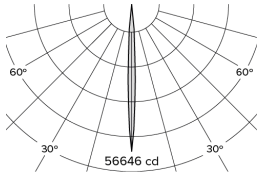
**SPECIFICATION** DRX1 2700K LED (10W for light source) compact spotlight for 1-Circuit Eutrac with 4° optic. Manufactured from A380 aluminium and glass-filled polycarbonate. Finished in black (RAL 9005). Voltage is 100-240V 50/60HZ. Luminaire has high-performance colour rendering of 90+ CRI. Luminaire can be rotated, with +/- 165° movement through the pan axis and +/- 110° through the tilt axis, at a resolution of less than 1° in either axis. Movement and dimming is controlled using a handheld remote. Recording and recalling of scenes as standard. Product is ETL listed to UL1574 and CSA C22.2#9.0 standards.

PART NO.

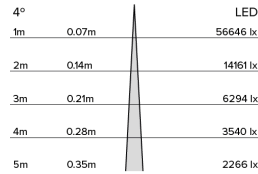
**DRX1.0006.US**
**PRODUCT SUMMARY**

DRX1 Spotlight; USA; 100-240V 50/60Hz; 1~ Eutrac; 4° Optic; 2700K 90+CRI LED 10W; Black; Movement &amp; Dimming using Handheld Remote

# DRX1; 1-Circuit Track LED 4° Optic 15W



Photometry



Cone Diagram

<b>MOVEMENT</b>	<b>MOVEMENT TYPE:</b>	Handheld
	<b>PAN MOVEMENT RANGE:</b>	±165°
	<b>TILT MOVEMENT RANGE:</b>	±110°
	<b>PAN MOVEMENT RESOLUTION:</b>	<1°
	<b>TILT MOVEMENT RESOLUTION:</b>	<1°
	<b>PAN SPEED OF MOVEMENT:</b>	24°/s
	<b>TILT SPEED OF MOVEMENT:</b>	22°/s

<b>LIGHTING</b>	<b>LIGHT SOURCE:</b>	LED
	<b>MIN. DISTANCE FROM TARGET:</b>	
	<b>MODULE LUMEN OUTPUT:</b>	594LM
	<b>ABSOLUTE LUMEN OUTPUT:</b>	540LM
	<b>GLARE MECHANICAL CUT-OFF:</b>	25
	<b>GLARE COMFORT CUT-OFF:</b>	50
<b>COLOUR TEMP:</b>	2700K	

<b>ELECTRICAL</b>	<b>VOLTAGE REGION:</b>	100-240V 50/60Hz
	<b>IEC PROTECTION CLASS:</b>	Class 2
	<b>LIGHT SOURCE WATTAGE:</b>	10W
	<b>MOVEMENT WATTAGE:</b>	4W
	<b>LUMINAIRE CIRCUIT WATTAGE:</b>	15W

PART NO.

**DRX1.0006.US**

**PRODUCT SUMMARY**

DRX1 Spotlight; USA; 100-240V 50/60Hz; 1~ Eutrac; 4° Optic; 2700K 90+CRI LED 10W; Black; Movement & Dimming using Handheld Remote