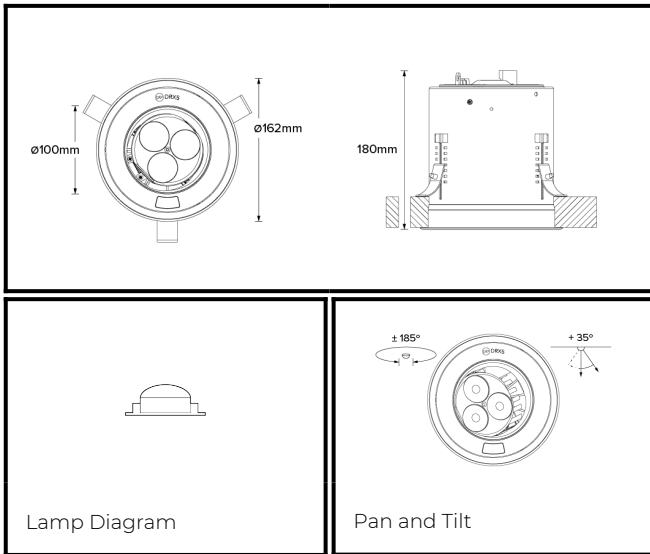


DRX5; Recessed - Standard Trim LED 4° Optic 14W



PHYSICAL	CONSTRUCTION MATERIALS:	LM24 Aluminium, Glass-filled Polycarbonate, Mild Steel mounting ring
	MOUNTING:	Recessed - Standard Trim
	WEIGHT:	1.55kg
	FINISH:	Black RAL9005
	MAX AMBIENT TEMPERATURE:	40°C
	CEILING CLEARANCE:	200mm
	CEILING CUT-OUT:	145mm
CEILING THICKNESS:	10-55mm	

CONTROL	MOVEMENT TYPE:	Handheld
	DIMMING OPTION:	1-10V

SPECIFICATION DRX5 3000K LED (10W for light source) standard trim recessed luminaire with 4° optic. Manufactured from LM24 aluminium and glass-filled polycarbonate, with a mild-steel mounting ring. Finished in black (RAL 9005). Voltage is 100-277V 50/60HZ. Luminaire has high-performance colour rendering of 90+ CRI. Luminaire can be rotated, with +/- 185° movement through the pan axis and +35 through the tilt axis, at a resolution of less than 1° in either axis. Movement is controlled using a handheld remote, and dimming is controlled using external 1-10V dimming. Recording and recalling of scenes as standard.

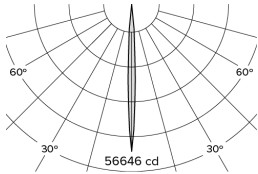
PART NO.

DRX5.0010

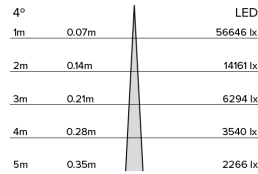
PRODUCT SUMMARY

DRX5 Spotlight; 100-277V 50/60Hz; Standard Trim Mounting; 4° Optic; 3000K 90+CRI LED 10W; Black; Movement using Handheld Remote; Dimming Using External (1-10V)

DRX5; Recessed - Standard Trim LED 4° Optic 14W



Photometry



Cone Diagram

MOVEMENT	MOVEMENT TYPE:	Handheld
	PAN MOVEMENT RANGE:	±185°
	TILT MOVEMENT RANGE:	+35°
	PAN MOVEMENT RESOLUTION:	<1°
	TILT MOVEMENT RESOLUTION:	<1°
	PAN SPEED OF MOVEMENT:	20°/s
	TILT SPEED OF MOVEMENT:	20°/s

LIGHTING	LIGHT SOURCE:	LED
	MIN. DISTANCE FROM TARGET:	N/A
	MODULE LUMEN OUTPUT:	594LM
	ABSOLUTE LUMEN OUTPUT:	540LM
	GLARE MECHANICAL CUT-OFF:	26°
	GLARE COMFORT CUT-OFF:	52°
COLOUR TEMP:	3000K	

ELECTRICAL	VOLTAGE REGION:	100-277V 50/60Hz
	IEC PROTECTION CLASS:	Class 2
	LIGHT SOURCE WATTAGE:	10W
	MOVEMENT WATTAGE:	3W
	LUMINAIRE CIRCUIT WATTAGE:	14W

PART NO.

DRX5.0010

PRODUCT SUMMARY

DRX5 Spotlight; 100-277V 50/60Hz; Standard Trim Mounting; 4° Optic; 3000K 90+CRI LED 10W; Black; Movement using Handheld Remote; Dimming Using External (1-10V)