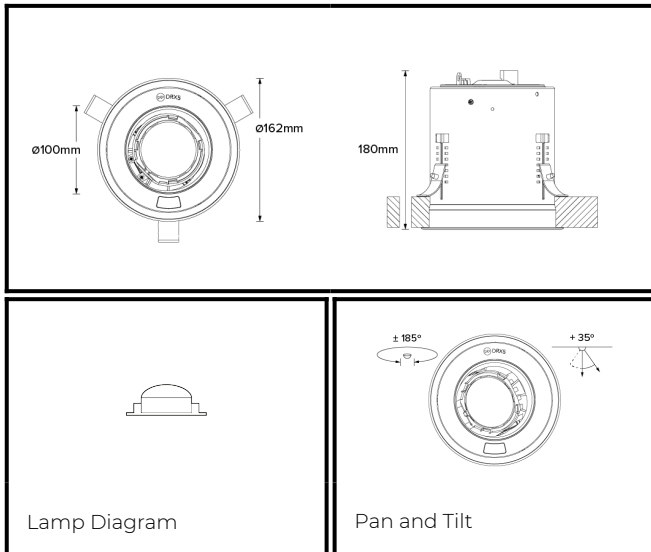


# DRX5; Recessed - Standard LED 10° Optic 20W



PHYSICAL	<b>MOUNTING:</b>	Recessed - Standard
	<b>WEIGHT:</b>	1.55kg
	<b>FINISH:</b>	White RAL9010
	<b>MAX AMBIENT TEMPERATURE:</b>	40°C
	<b>CEILING CLEARANCE:</b>	200mm
	<b>CEILING CUT-OUT:</b>	145mm
	<b>CEILING THICKNESS:</b>	10-55mm

CONTROL	<b>MOVEMENT TYPE:</b>	DMX
	<b>DIMMING OPTION:</b>	DMX

SPECIFICATION

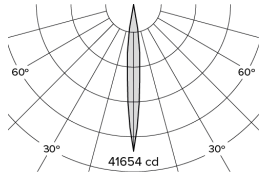
DRX5 3000K LED (17W for light source) standard trim recessed luminaire with 10-° optic. Manufactured from LM24 aluminium and glass-filled polycarbonate, with a mild-steel mounting ring. Finished in white (RAL 9010). Voltage is 100-277V 50/60HZ. Luminaire has high-performance colour rendering of 90+ CRI. Luminaire can be rotated, with +/- 185- movement through the pan axis and +35 through the tilt axis, at a resolution of less than 1- in either axis. Movement and dimming is controlled by DMX. Recording and recalling of scenes as standard.

PART NO.

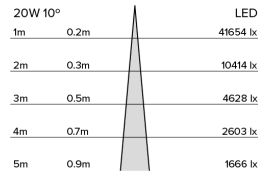
**DRX5.0013**
**PRODUCT SUMMARY**

DRX5 Spotlight; 100-277V 50/60Hz; Standard Trim Mounting; 10-° Optic; 3000K 90+CRI LED 17W; White; Movement &amp; Dimming using DMX Control only

# DRX5; Recessed - Standard LED 10° Optic 20W



Photometry



Cone Diagram

<b>MOVEMENT</b>	<b>MOVEMENT TYPE:</b>	DMX
	<b>PAN MOVEMENT RANGE:</b>	±185°
	<b>TILT MOVEMENT RANGE:</b>	+35°
	<b>PAN MOVEMENT RESOLUTION:</b>	<1°
	<b>TILT MOVEMENT RESOLUTION:</b>	<1°
	<b>PAN SPEED OF MOVEMENT:</b>	20°/s
	<b>TILT SPEED OF MOVEMENT:</b>	20°/s

<b>LIGHTING</b>	<b>LIGHT SOURCE:</b>	LED
	<b>MIN. DISTANCE FROM TARGET:</b>	N/A
	<b>MODULE LUMEN OUTPUT:</b>	1573lm
	<b>ABSOLUTE LUMEN OUTPUT:</b>	1430lm
	<b>GLARE MECHANICAL CUT-OFF:</b>	17°
	<b>GLARE COMFORT CUT-OFF:</b>	52°
	<b>COLOUR TEMP:</b>	3000K

<b>ELECTRICAL</b>	<b>VOLTAGE REGION:</b>	100 - 277V 50/60Hz
	<b>IEC PROTECTION CLASS:</b>	Class 2
	<b>LIGHT SOURCE WATTAGE:</b>	17W
	<b>MOVEMENT WATTAGE:</b>	3W
	<b>LUMINAIRE CIRCUIT WATTAGE:</b>	20W

PART NO. **DRX5.0013**

**PRODUCT SUMMARY**

DRX5 Spotlight; 100-277V 50/60Hz; Standard Trim Mounting; 10-° Optic; 3000K 90+CRI LED 17W; White; Movement & Dimming using DMX Control only