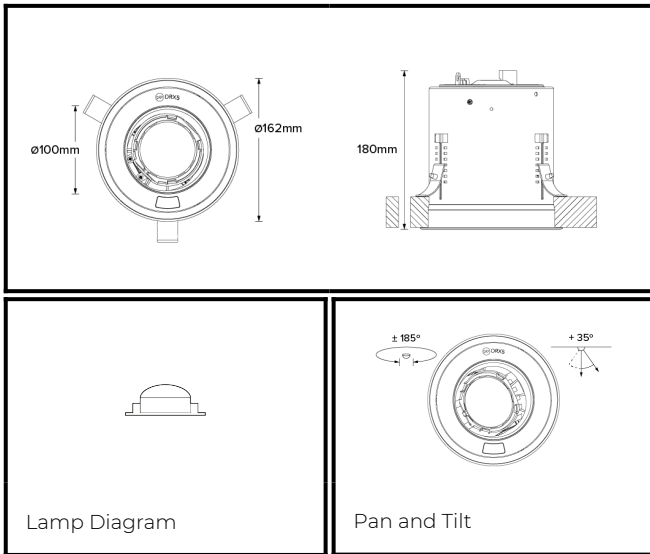


DRX5; Recessed - Standard LED 10° Optic 20W



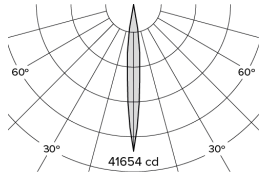
PHYSICAL	MOUNTING:	Recessed - Standard
	WEIGHT:	1.55kg
	FINISH:	White RAL9010
	MAX AMBIENT TEMPERATURE:	40°C
	CEILING CLEARANCE:	200mm
	CEILING CUT-OUT:	145mm
	CEILING THICKNESS:	10-55mm
CONTROL	MOVEMENT TYPE:	Handheld Remote
	DIMMING OPTION:	DALI Dimming

SPECIFICATION DRX5 3000K LED (17W for light source) standard trim recessed luminaire with 10-° optic. Manufactured from LM24 aluminium and glass-filled polycarbonate, with a mild-steel mounting ring. Finished in white (RAL 9010). Voltage is 100-277V 50/60HZ. Luminaire has high-performance colour rendering of 90+ CRI. Luminaire can be rotated, with +/- 185-° movement through the pan axis and +35 through the tilt axis, at a resolution of less than 1-° in either axis. Movement is controlled using a handheld remote, and dimming is controlled using external DALI dimming. Recording and recalling of scenes as standard.

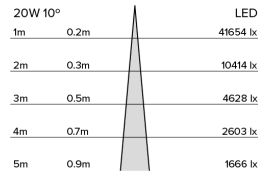
PART NO. DRX5.0014

PRODUCT SUMMARY DRX5 Spotlight; 100-277V 50/60Hz; Standard Trim Mounting; 10-° Optic; 3000K 90+CRI LED 17W; White; Movement using Handheld Remote; Dimming Using External DALI Control

DRX5; Recessed - Standard LED 10° Optic 20W



Photometry



Cone Diagram

MOVEMENT	MOVEMENT TYPE:	Handheld Remote
	PAN MOVEMENT RANGE:	±185°
	TILT MOVEMENT RANGE:	+35°
	PAN MOVEMENT RESOLUTION:	<1°
	TILT MOVEMENT RESOLUTION:	<1°
	PAN SPEED OF MOVEMENT:	20°/s
	TILT SPEED OF MOVEMENT:	20°/s

LIGHTING	LIGHT SOURCE:	LED
	MIN. DISTANCE FROM TARGET:	N/A
	MODULE LUMEN OUTPUT:	1573lm
	ABSOLUTE LUMEN OUTPUT:	1430lm
	GLARE MECHANICAL CUT-OFF:	17°
	GLARE COMFORT CUT-OFF:	52°
COLOUR TEMP:	3000K	

ELECTRICAL	VOLTAGE REGION:	100 - 277V 50/60Hz
	IEC PROTECTION CLASS:	Class 2
	LIGHT SOURCE WATTAGE:	17W
	MOVEMENT WATTAGE:	3W
	LUMINAIRE CIRCUIT WATTAGE:	20W

PART NO. **DRX5.0014**

PRODUCT SUMMARY

DRX5 Spotlight; 100-277V 50/60Hz; Standard Trim Mounting; 10-° Optic; 3000K 90+CRI LED 17W; White; Movement using Handheld Remote; Dimming Using External DALI Control