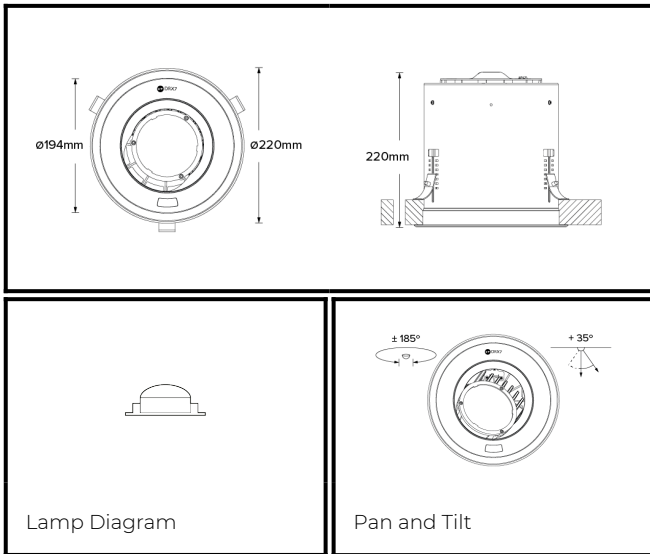


# DRX7; Recessed - Standard Trim LED 7° Optic 35W



|                           |                                 |  |
|---------------------------|---------------------------------|--|
| <b>PHYSICAL</b>           | <b>CONSTRUCTION MATERIALS:</b>  | LM24 Aluminium, Glass-filled Polycarbonate, Mild Steel mounting ring |
|                           | <b>MOUNTING:</b>                | Recessed - Standard Trim   |
|                           | <b>WEIGHT:</b>                  | 3.0kg  |
|                           | <b>FINISH:</b>                  | White RAL9010  |
|                           | <b>MAX AMBIENT TEMPERATURE:</b> | 40°C   |
|                           | <b>CEILING CLEARANCE:</b>       | 250mm  |
|                           | <b>CEILING CUT-OUT:</b>         | 195mm  |
| <b>CEILING THICKNESS:</b> | 3-45mm                          |  |

|                |                        |     |
|----------------|------------------------|-----|
| <b>CONTROL</b> | <b>MOVEMENT TYPE:</b>  | DMX |
|                | <b>DIMMING OPTION:</b> | DMX |

**SPECIFICATION** DRX7 2700K LED (25W for light source) standard trim recessed luminaire with 7° optic. Manufactured from LM24 aluminium and glass-filled polycarbonate, with a mild-steel mounting ring. Finished in white (RAL 9010). Voltage is 100-277V 50/60HZ. Luminaire has high-performance colour rendering of 90+ CRI. Luminaire can be rotated, with +/- 185° movement through the pan axis and +35° through the tilt axis, at a resolution of less than 1° in either axis. Movement and dimming is controlled by DMX. Recording and recalling of scenes as standard.

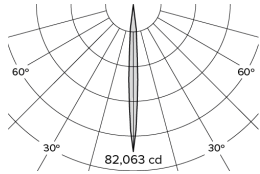
PART NO.

**DRX7.0003**

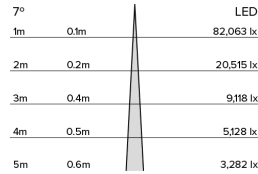
**PRODUCT SUMMARY**

DRX7 Spotlight; 100-277V 50/60Hz; Standard Trim Mounting; 7° Optic; 2700K 90+CRI LED 25W; White; Movement & Dimming using DMX Control only

# DRX7; Recessed - Standard Trim LED 7° Optic 35W



Photometry



Cone Diagram

|            |                                   |                  |          |                                   |        |
|------------|-----------------------------------|------------------|----------|-----------------------------------|--------|
| MOVEMENT   | <b>MOVEMENT TYPE:</b>             | DMX              | LIGHTING | <b>LIGHT SOURCE:</b>              | LED    |
|            | <b>PAN MOVEMENT RANGE:</b>        | +/-185°          |          | <b>MIN. DISTANCE FROM TARGET:</b> | N/A    |
|            | <b>TILT MOVEMENT RANGE:</b>       | +35°             |          | <b>MODULE LUMEN OUTPUT:</b>       | 2200LM |
|            | <b>PAN MOVEMENT RESOLUTION:</b>   | <1°              |          | <b>ABSOLUTE LUMEN OUTPUT:</b>     | 1904LM |
|            | <b>TILT MOVEMENT RESOLUTION:</b>  | <1°              |          | <b>GLARE MECHANICAL CUT-OFF:</b>  | 18°    |
|            | <b>PAN SPEED OF MOVEMENT:</b>     | 20°/s            |          | <b>GLARE COMFORT CUT-OFF:</b>     | 53°    |
|            | <b>TILT SPEED OF MOVEMENT:</b>    | 20°/s            |          | <b>COLOUR TEMP:</b>               | 2700K  |
| ELECTRICAL | <b>VOLTAGE REGION:</b>            | 100-277V 50/60Hz |          |                                   |        |
|            | <b>IEC PROTECTION CLASS:</b>      | Class 2          |          |                                   |        |
|            | <b>LIGHT SOURCE WATTAGE:</b>      | 25W              |          |                                   |        |
|            | <b>MOVEMENT WATTAGE:</b>          | 4W               |          |                                   |        |
|            | <b>LUMINAIRE CIRCUIT WATTAGE:</b> | 35W              |          |                                   |        |

PART NO.

**DRX7.0003**

**PRODUCT SUMMARY**

DRX7 Spotlight; 100-277V 50/60Hz; Standard Trim Mounting; 7° Optic; 2700K 90+CRI LED 25W; White; Movement & Dimming using DMX Control only