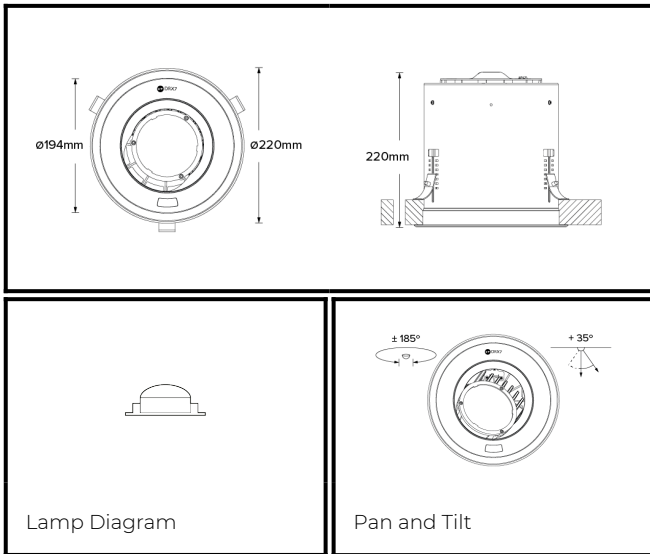


DRX7; Recessed - Standard Trim LED 7° Optic 35W



PHYSICAL	CONSTRUCTION MATERIALS:	LM24 Aluminium, Glass-filled Polycarbonate, Mild Steel mounting ring
	MOUNTING:	Recessed - Standard Trim
	WEIGHT:	3.0kg
	FINISH:	White RAL9010
	MAX AMBIENT TEMPERATURE:	40°C
	CEILING CLEARANCE:	250mm
	CEILING CUT-OUT:	195mm
CEILING THICKNESS:	3-45mm	

CONTROL	MOVEMENT TYPE:	Handheld
	DIMMING OPTION:	1-10V

SPECIFICATION DRX7 2700K LED (25W for light source) standard trim recessed luminaire with 7° optic. Manufactured from LM24 aluminium and glass-filled polycarbonate, with a mild-steel mounting ring. Finished in white (RAL 9010). Voltage is 100-277V 50/60HZ. Luminaire has high-performance colour rendering of 90+ CRI. Luminaire can be rotated, with +/- 185° movement through the pan axis and +35° through the tilt axis, at a resolution of less than 1° in either axis. Movement is controlled using a handheld remote, and dimming is controlled using external 1-10V dimming. Recording and recalling of scenes as standard.

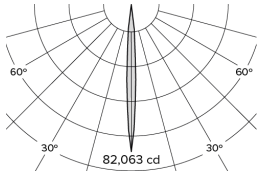
PART NO.

DRX7.0005

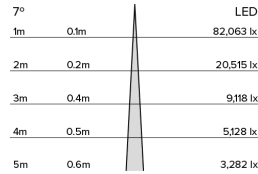
PRODUCT SUMMARY

DRX7 Spotlight; 100-277V 50/60Hz; Standard Trim Mounting; 7° Optic; 2700K 90+CRI LED 25W; White; Movement using Handheld Remote; Dimming Using External (1-10V)

DRX7; Recessed - Standard Trim LED 7° Optic 35W



Photometry



Cone Diagram

MOVEMENT	MOVEMENT TYPE:	Handheld	LIGHTING	LIGHT SOURCE:	LED
	PAN MOVEMENT RANGE:	+/-185°		MIN. DISTANCE FROM TARGET:	N/A
	TILT MOVEMENT RANGE:	+35°		MODULE LUMEN OUTPUT:	2200LM
	PAN MOVEMENT RESOLUTION:	<1°		ABSOLUTE LUMEN OUTPUT:	1904LM
	TILT MOVEMENT RESOLUTION:	<1°		GLARE MECHANICAL CUT-OFF:	18°
	PAN SPEED OF MOVEMENT:	20°/s		GLARE COMFORT CUT-OFF:	53°
	TILT SPEED OF MOVEMENT:	20°/s		COLOUR TEMP:	2700K
ELECTRICAL	VOLTAGE REGION:	100-277V 50/60Hz			
	IEC PROTECTION CLASS:	Class 2			
	LIGHT SOURCE WATTAGE:	25W			
	MOVEMENT WATTAGE:	4W			
	LUMINAIRE CIRCUIT WATTAGE:	35W			

PART NO.

DRX7.0005

PRODUCT SUMMARY

DRX7 Spotlight; 100-277V 50/60Hz; Standard Trim Mounting; 7° Optic; 2700K 90+CRI LED 25W; White; Movement using Handheld Remote; Dimming Using External (1-10V)