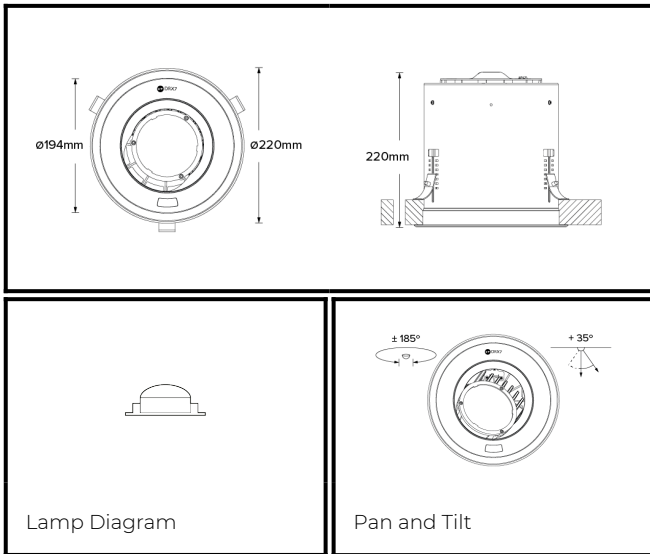


# DRX7; Recessed - Standard Trim LED 7° Optic 35W



<b>PHYSICAL</b>	<b>CONSTRUCTION MATERIALS:</b>	LM24 Aluminium, Glass-filled Polycarbonate, Mild Steel mounting ring
	<b>MOUNTING:</b>	Recessed - Standard Trim
	<b>WEIGHT:</b>	3.0kg
	<b>FINISH:</b>	Black RAL9005
	<b>MAX AMBIENT TEMPERATURE:</b>	40°C
	<b>CEILING CLEARANCE:</b>	250mm
	<b>CEILING CUT-OUT:</b>	195mm
<b>CEILING THICKNESS:</b>	3-45mm	

<b>CONTROL</b>	<b>MOVEMENT TYPE:</b>	DMX
	<b>DIMMING OPTION:</b>	DMX

**SPECIFICATION** DRX7 2700K LED (25W for light source) standard trim recessed luminaire with 7° optic. Manufactured from LM24 aluminium and glass-filled polycarbonate, with a mild-steel mounting ring. Finished in black (RAL 9005). Voltage is 100-277V 50/60HZ. Luminaire has high-performance colour rendering of 90+ CRI. Luminaire can be rotated, with +/- 185° movement through the pan axis and +35° through the tilt axis, at a resolution of less than 1° in either axis. Movement and dimming is controlled by DMX. Recording and recalling of scenes as standard.

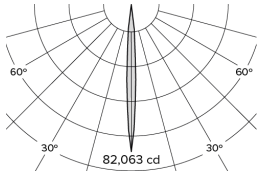
PART NO.

**DRX7.0009**

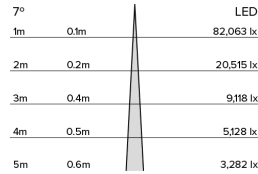
**PRODUCT SUMMARY**

DRX7 Spotlight; 100-277V 50/60Hz; Standard Trim Mounting; 7° Optic; 2700K 90+CRI LED 25W; Black; Movement & Dimming using DMX Control only

# DRX7; Recessed - Standard Trim LED 7° Optic 35W



Photometry



Cone Diagram

MOVEMENT	<b>MOVEMENT TYPE:</b>	DMX	LIGHTING	<b>LIGHT SOURCE:</b>	LED
	<b>PAN MOVEMENT RANGE:</b>	+/-185°		<b>MIN. DISTANCE FROM TARGET:</b>	N/A
	<b>TILT MOVEMENT RANGE:</b>	+35°		<b>MODULE LUMEN OUTPUT:</b>	2200LM
	<b>PAN MOVEMENT RESOLUTION:</b>	<1°		<b>ABSOLUTE LUMEN OUTPUT:</b>	1904LM
	<b>TILT MOVEMENT RESOLUTION:</b>	<1°		<b>GLARE MECHANICAL CUT-OFF:</b>	18°
	<b>PAN SPEED OF MOVEMENT:</b>	20°/s		<b>GLARE COMFORT CUT-OFF:</b>	53°
	<b>TILT SPEED OF MOVEMENT:</b>	20°/s		<b>COLOUR TEMP:</b>	2700K
ELECTRICAL	<b>VOLTAGE REGION:</b>	100-277V 50/60Hz			
	<b>IEC PROTECTION CLASS:</b>	Class 2			
	<b>LIGHT SOURCE WATTAGE:</b>	25W			
	<b>MOVEMENT WATTAGE:</b>	4W			
	<b>LUMINAIRE CIRCUIT WATTAGE:</b>	35W			

PART NO. **DRX7.0009**

**PRODUCT SUMMARY** DRX7 Spotlight; 100-277V 50/60Hz; Standard Trim Mounting; 7° Optic; 2700K 90+CRI LED 25W; Black; Movement & Dimming using DMX Control only