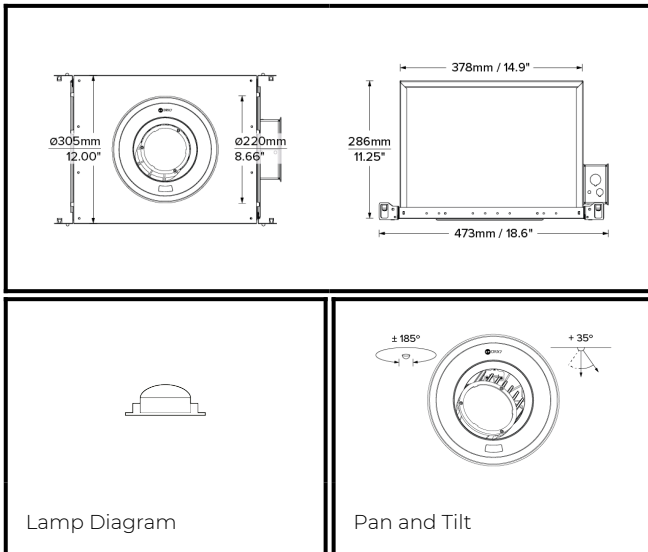


# DRX7; Recessed IC - Standard Trim

LED 7° Optic 35W



|                 |                                 |  |
|-----------------|---------------------------------|--|
| <b>PHYSICAL</b> | <b>CONSTRUCTION MATERIALS:</b>  | LM24 Aluminium, Glass-filled Polycarbonate, Mild Steel mounting ring |
|                 | <b>MOUNTING:</b>                | Recessed IC - Standard Trim  |
|                 | <b>WEIGHT:</b>                  | 6.6lb + 8.8lb  |
|                 | <b>FINISH:</b>                  | Black RAL9005  |
|                 | <b>MAX AMBIENT TEMPERATURE:</b> | 40°C   |
|                 | <b>CEILING CLEARANCE:</b>       | 11.8 Inches  |
|                 | <b>CEILING CUT-OUT:</b>         | Ø7.7 inches (Ø195mm)   |
|                 | <b>CEILING THICKNESS:</b>       | 0.4 - 2 inches   |

|                |                        |             |
|----------------|------------------------|-------------|
| <b>CONTROL</b> | <b>MOVEMENT TYPE:</b>  | RCL Control |
|                | <b>DIMMING OPTION:</b> | RCL Control |

**SPECIFICATION** DRX7 2700K LED (25W for light source) standard trim recessed luminaire with 7° optic. Manufactured from LM24 aluminium and glass-filled polycarbonate, with a mild-steel mounting ring. Finished in black (RAL 9005). Voltage is 100-277V 50/60HZ. Luminaire has high-performance colour rendering of 90+ CRI. Luminaire can be rotated, with +/- 185° movement through the pan axis and +35° through the tilt axis, at a resolution of less than 1° in either axis. Movement and dimming is controlled using RCL Control iPad App. Recording and recalling of scenes as standard. Product is ETL listed to UL1598 and CSA C22.2#250.0 standards.

PART NO.

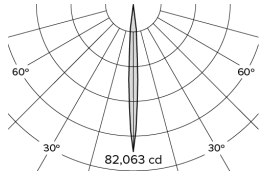
**DRX7.0012.US**

**PRODUCT SUMMARY**

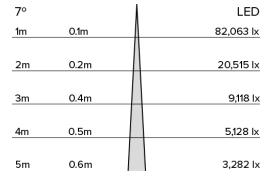
DRX7 Spotlight; USA; 100-277V 50/60Hz; Standard Trim Mounting; 7° Optic; 2700K 90+CRI LED 25W; Black; Movement & Dimming using RCL Control

# DRX7; Recessed IC - Standard Trim

LED 7° Optic 35W



Photometry



Cone Diagram

|                   |                                   |                  |                 |                                   |        |
|-------------------|-----------------------------------|------------------|-----------------|-----------------------------------|--------|
| <b>MOVEMENT</b>   | <b>MOVEMENT TYPE:</b>             | RCL Control      | <b>LIGHTING</b> | <b>LIGHT SOURCE:</b>              | LED    |
|                   | <b>PAN MOVEMENT RANGE:</b>        | ±185°            |                 | <b>MIN. DISTANCE FROM TARGET:</b> | N/A    |
|                   | <b>TILT MOVEMENT RANGE:</b>       | +35°             |                 | <b>MODULE LUMEN OUTPUT:</b>       | 2200LM |
|                   | <b>PAN MOVEMENT RESOLUTION:</b>   | <1°              |                 | <b>ABSOLUTE LUMEN OUTPUT:</b>     | 1904LM |
|                   | <b>TILT MOVEMENT RESOLUTION:</b>  | <1°              |                 | <b>GLARE MECHANICAL CUT-OFF:</b>  | 18°    |
|                   | <b>PAN SPEED OF MOVEMENT:</b>     | 20°/s            |                 | <b>GLARE COMFORT CUT-OFF:</b>     | 53°    |
|                   | <b>TILT SPEED OF MOVEMENT:</b>    | 20°/s            |                 | <b>COLOUR TEMP:</b>               | 2700K  |
| <b>ELECTRICAL</b> | <b>VOLTAGE REGION:</b>            | 100-277V 50/60Hz |                 |                                   |        |
|                   | <b>IEC PROTECTION CLASS:</b>      | Class 2          |                 |                                   |        |
|                   | <b>LIGHT SOURCE WATTAGE:</b>      | 25W              |                 |                                   |        |
|                   | <b>MOVEMENT WATTAGE:</b>          | 4W               |                 |                                   |        |
|                   | <b>LUMINAIRE CIRCUIT WATTAGE:</b> | 35W              |                 |                                   |        |

PART NO.

**DRX7.0012.US**

**PRODUCT SUMMARY**

DRX7 Spotlight; USA; 100-277V 50/60Hz; Standard Trim Mounting; 7° Optic; 2700K 90+CRI LED 25W; Black; Movement & Dimming using RCL Control