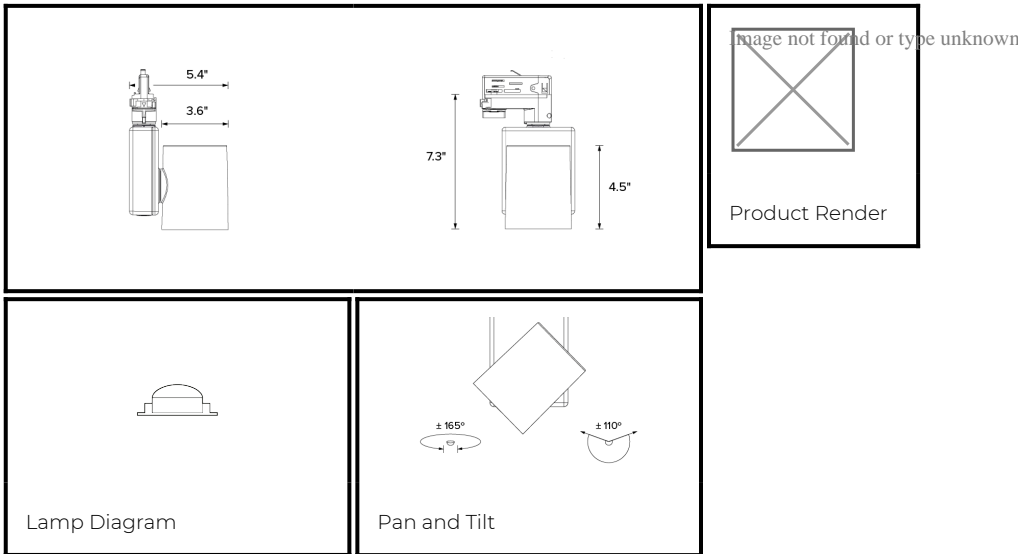


DRX1; 2-Circuit Track LED 4° Optic 15W



PHYSICAL	CONSTRUCTION MATERIALS:	A380 Aluminium, Glass-filled Polycarbonate
	MOUNTING:	2-Circuit Track
	WEIGHT:	1.2 kg
	FINISH:	White RAL9010
	MAX AMBIENT TEMPERATURE:	40°C
	CEILING CLEARANCE:	N/A
	CEILING CUT-OUT:	N/A
CEILING THICKNESS:	N/A	

CONTROL	MOVEMENT TYPE:	Handheld
	DIMMING OPTION:	Handheld

SPECIFICATION

DRX1 2700K LED (10W for light source) compact spotlight for 2-Circuit Onetrack with 4° optic. Manufactured from A380 aluminium and glass-filled polycarbonate. Finished in white (RAL 9010). Voltage is 100-240V 50/60HZ. Luminaire has high-performance colour rendering of 90+ CRI. Luminaire can be rotated, with +/- 165° movement through the pan axis and +/- 110° through the tilt axis, at a resolution of less than 1° in either axis. Movement and dimming is controlled using a handheld remote. Recording and recalling of scenes as standard. Product is ETL listed to UL1574 and CSA C22.2#9.0 standards.

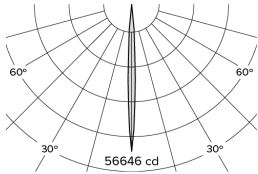
PART NO.

DRX1.0061.USOT

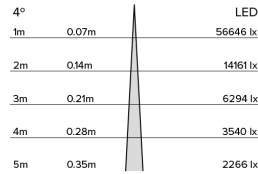
PRODUCT SUMMARY

DRX1 Spotlight; USA; 100-240V 50/60Hz; 2~ Onetrack; 4° Optic; 2700K 90+CRI LED 10W; White; Movement & Dimming using Handheld Remote

DRX1; 2-Circuit Track LED 4° Optic 15W



Photometry



Cone Diagram

MOVEMENT	MOVEMENT TYPE:	Handheld
	PAN MOVEMENT RANGE:	±165°
	TILT MOVEMENT RANGE:	±110°
	PAN MOVEMENT RESOLUTION:	<1°
	TILT MOVEMENT RESOLUTION:	<1°
	PAN SPEED OF MOVEMENT:	24°/s
	TILT SPEED OF MOVEMENT:	22°/s

LIGHTING	LIGHT SOURCE:	LED
	MIN. DISTANCE FROM TARGET:	N/A
	MODULE LUMEN OUTPUT:	594LM
	ABSOLUTE LUMEN OUTPUT:	540LM
	GLARE MECHANICAL CUT-OFF:	25°
	GLARE COMFORT CUT-OFF:	50°
COLOUR TEMP:	2700K	

ELECTRICAL	VOLTAGE REGION:	100-240V 50/60Hz
	IEC PROTECTION CLASS:	Class I
	LIGHT SOURCE WATTAGE:	10W
	MOVEMENT WATTAGE:	4W
	LUMINAIRE CIRCUIT WATTAGE:	15W

PART NO.

DRX1.0061.USOT

PRODUCT SUMMARY

DRX1 Spotlight; USA; 100-240V 50/60Hz; 2~ Onetrack; 4° Optic; 2700K 90+CRI LED 10W; White; Movement & Dimming using Handheld Remote