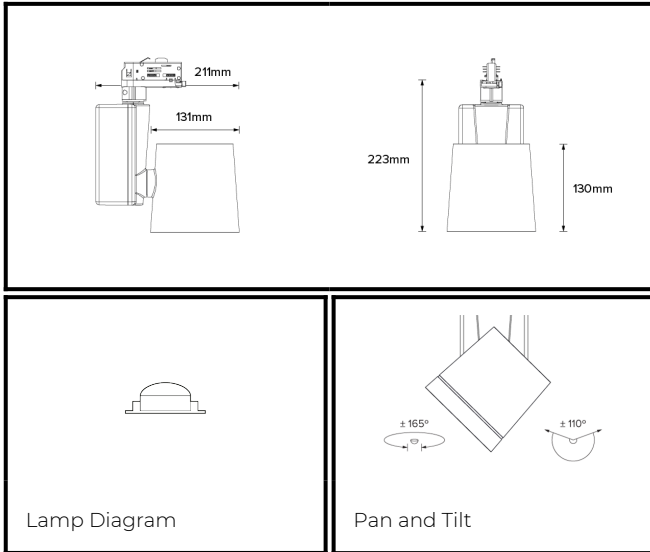


DRX2; 3-Circuit Track LED 7° Optic 36W



| | | |
|---------------------------|---------------------------------|--------------------------------------------|
| PHYSICAL | CONSTRUCTION MATERIALS: | A380 Aluminium, Glass-filled Polycarbonate |
| | MOUNTING: | 3-Circuit Track |
| | WEIGHT: | 1.9 kg |
| | FINISH: | Black RAL9005 |
| | MAX AMBIENT TEMPERATURE: | 40°C |
| | CEILING CLEARANCE: | N/A |
| | CEILING CUT-OUT: | N/A |
| CEILING THICKNESS: | N/A | |

| | | |
|----------------|------------------------|----------|
| CONTROL | MOVEMENT TYPE: | Handheld |
| | DIMMING OPTION: | Handheld |

SPECIFICATION DRX2 2700K LED (25W for light source) compact spotlight for 3-Circuit Onetrack with 7° optic. Manufactured from A380 aluminium and glass-filled polycarbonate. Finished in black (RAL 9005). Voltage is 100-240V 50/60HZ. Luminaire has high-performance colour rendering of 90+ CRI. Luminaire can be rotated, with +/- 165° movement through the pan axis and +/- 110° through the tilt axis, at a resolution of less than 1° in either axis. Movement and dimming is controlled using a handheld remote. Recording and recalling of scenes as standard.

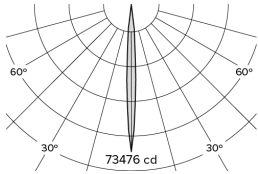
PART NO.

DRX2.0079.OT

PRODUCT SUMMARY

DRX2 Spotlight; 100-240V 50/60Hz; 3~ Onetrack; 7° Optic; 2700K 90+CRI COB LED 25W; Black; Movement & Dimming using Handheld Remote

DRX2; 3-Circuit Track LED 7° Optic 36W



Photometry



Cone Diagram

| | | |
|-----------------|----------------------------------|----------|
| MOVEMENT | MOVEMENT TYPE: | Handheld |
| | PAN MOVEMENT RANGE: | ±165° |
| | TILT MOVEMENT RANGE: | ±110° |
| | PAN MOVEMENT RESOLUTION: | <1° |
| | TILT MOVEMENT RESOLUTION: | <1° |
| | PAN SPEED OF MOVEMENT: | 24°/s |
| | TILT SPEED OF MOVEMENT: | 22°/s |

| | | |
|-----------------|-----------------------------------|--------|
| LIGHTING | LIGHT SOURCE: | LED |
| | MIN. DISTANCE FROM TARGET: | N/A |
| | MODULE LUMEN OUTPUT: | 2200LM |
| | ABSOLUTE LUMEN OUTPUT: | 1814LM |
| | GLARE MECHANICAL CUT-OFF: | 11° |
| | GLARE COMFORT CUT-OFF: | 53° |
| | COLOUR TEMP: | 2700K |

| | | |
|-------------------|-----------------------------------|------------------|
| ELECTRICAL | VOLTAGE REGION: | 100-240V 50/60Hz |
| | IEC PROTECTION CLASS: | Class I |
| | LIGHT SOURCE WATTAGE: | 25W |
| | MOVEMENT WATTAGE: | 4W |
| | LUMINAIRE CIRCUIT WATTAGE: | 36W |

PART NO.

DRX2.0079.OT

PRODUCT SUMMARY

DRX2 Spotlight; 100-240V 50/60Hz; 3~ Onetrack; 7° Optic; 2700K 90+CRI COB LED 25W; Black; Movement & Dimming using Handheld Remote