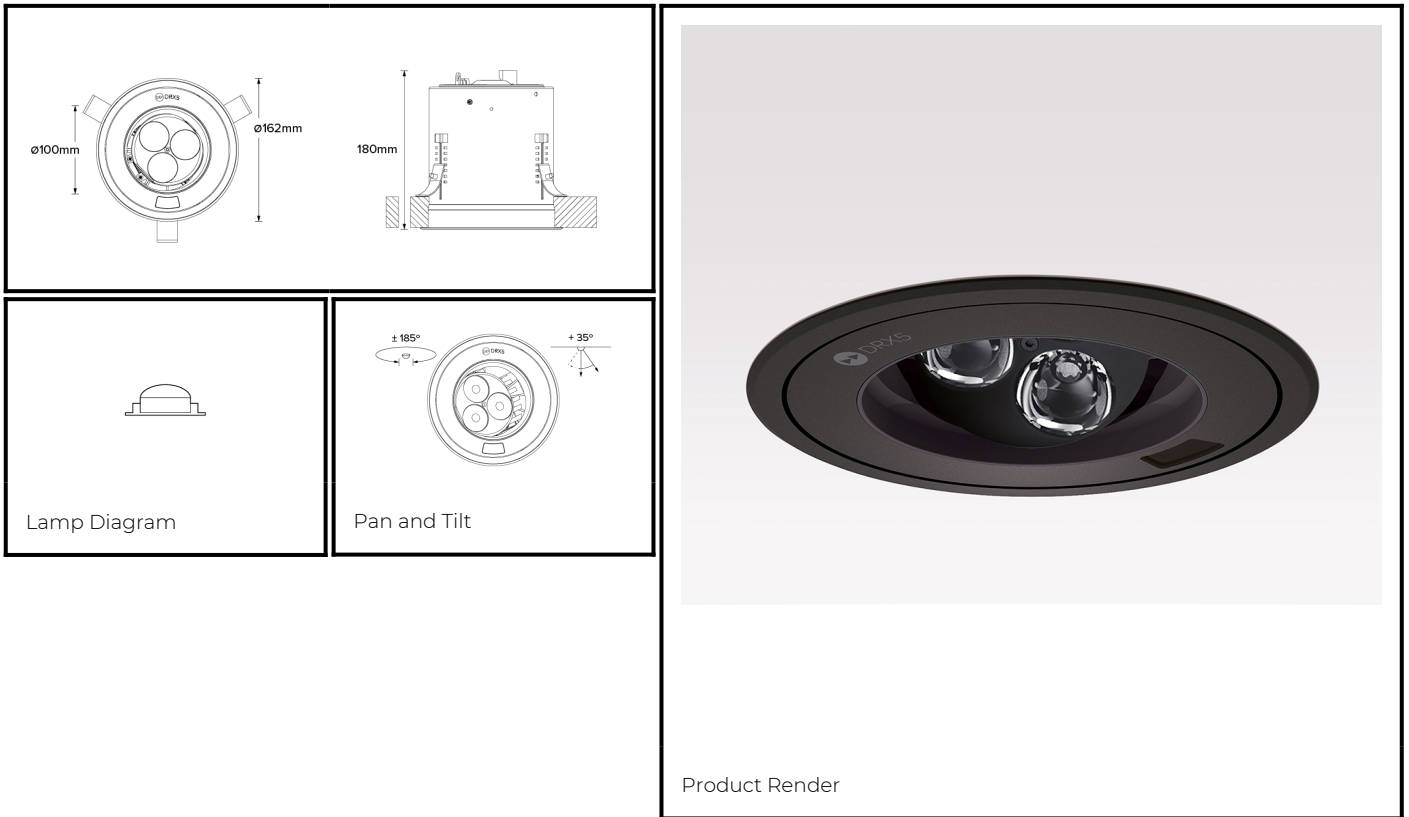


DRX5; Recessed - Standard Trim LED 4° Optic 14W



PHYSICAL	CONSTRUCTION MATERIALS:	LM24 Aluminium, Glass-filled Polycarbonate, Mild Steel mounting ring
	MOUNTING:	Recessed - Standard Trim
	WEIGHT:	1.55kg
	FINISH:	Black RAL9005
	MAX AMBIENT TEMPERATURE:	40°C
	CEILING CLEARANCE:	200mm
	CEILING CUT-OUT:	145mm
CEILING THICKNESS:	10-55mm	

CONTROL	MOVEMENT TYPE:	DMX
	DIMMING OPTION:	DMX

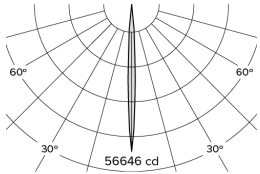
SPECIFICATION

DRX5 3000K LED (10W for light source) standard trim recessed luminaire with 4° optic. Manufactured from LM24 aluminium and glass-filled polycarbonate, with a mild-steel mounting ring. Finished in black (RAL 9005). Voltage is 100-277V 50/60HZ. Luminaire has high-performance colour rendering of 90+ CRI. Luminaire can be rotated, with +/- 185° movement through the pan axis and +35 through the tilt axis, at a resolution of less than 1° in either axis. Movement and dimming is controlled by DMX. Recording and recalling of scenes as standard.

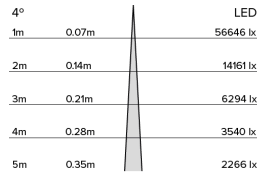
PART NO. DRX5.0008

PRODUCT SUMMARY DRX5 Spotlight; 100-277V 50/60Hz; Standard Trim Mounting; 4° Optic; 3000K 90+CRI LED 10W; Black; Movement & Dimming using DMX Control only

DRX5; Recessed - Standard Trim LED 4° Optic 14W



Photometry



Cone Diagram

MOVEMENT	MOVEMENT TYPE:	DMX	LIGHTING	LIGHT SOURCE:	LED
	PAN MOVEMENT RANGE:	+/-185°		MIN. DISTANCE FROM TARGET:	N/A
	TILT MOVEMENT RANGE:	+35°		MODULE LUMEN OUTPUT:	590LM
	PAN MOVEMENT RESOLUTION:	<1°		ABSOLUTE LUMEN OUTPUT:	540LM
	TILT MOVEMENT RESOLUTION:	<1°		GLARE MECHANICAL CUT-OFF:	26°
	PAN SPEED OF MOVEMENT:	20°/s		GLARE COMFORT CUT-OFF:	52°
	TILT SPEED OF MOVEMENT:	20°/s	COLOUR TEMP:	3000K	
ELECTRICAL	VOLTAGE REGION:	100-277V 50/60Hz			
	IEC PROTECTION CLASS:	Class II			
	LIGHT SOURCE WATTAGE:	10W			
	MOVEMENT WATTAGE:	3W			
	LUMINAIRE CIRCUIT WATTAGE:	14W			

PART NO.

DRX5.0008

PRODUCT SUMMARY

DRX5 Spotlight; 100-277V 50/60Hz; Standard Trim Mounting; 4° Optic; 3000K 90+CRI LED 10W; Black; Movement & Dimming using DMX Control only