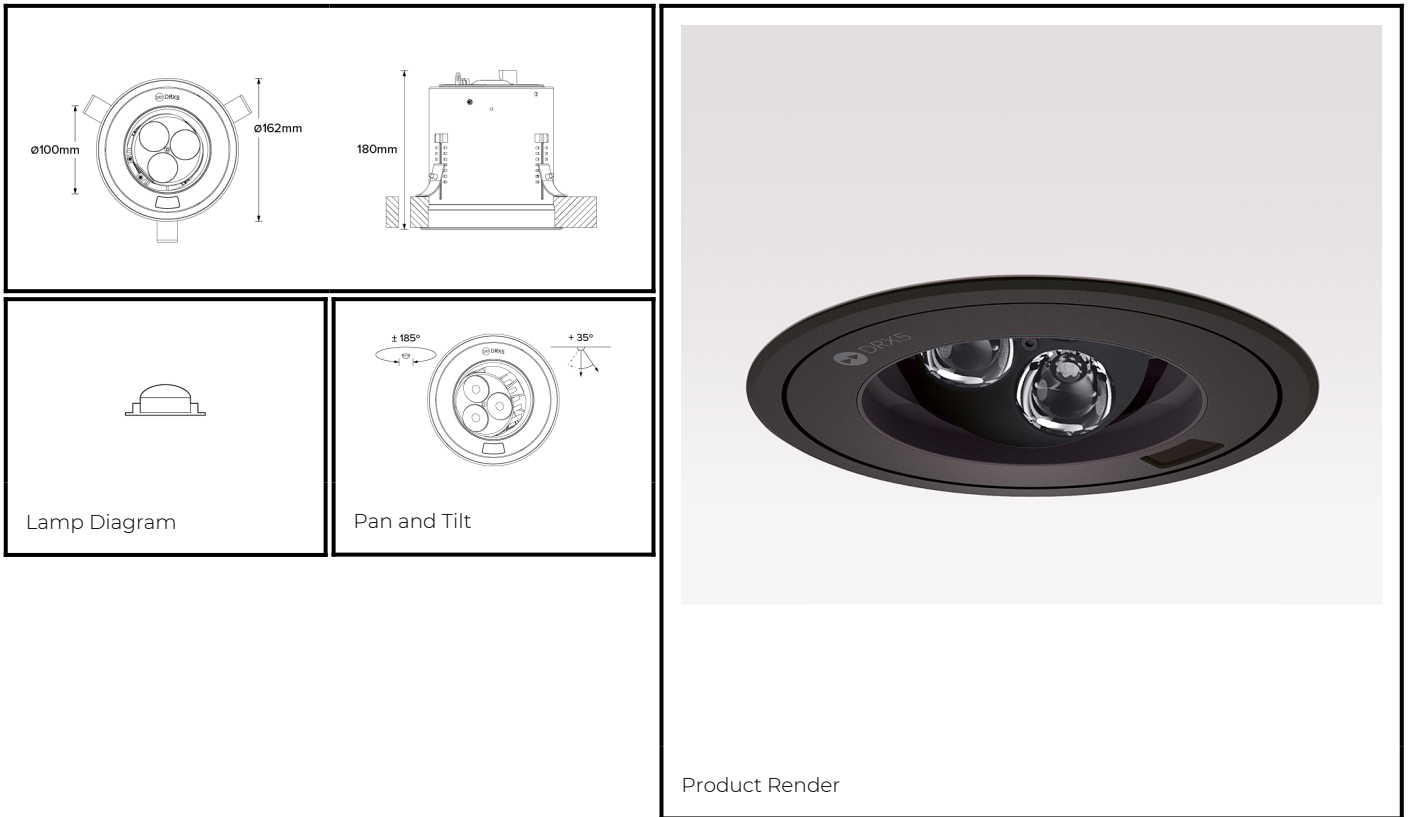


# DRX5; Recessed - Standard Trim LED 4° Optic 14W



<b>PHYSICAL</b>	<b>CONSTRUCTION MATERIALS:</b>	LM24 Aluminium, Glass-filled Polycarbonate, Mild Steel mounting ring
	<b>MOUNTING:</b>	Recessed - Standard Trim
	<b>WEIGHT:</b>	1.55kg
	<b>FINISH:</b>	Black RAL9005
	<b>MAX AMBIENT TEMPERATURE:</b>	40°C
	<b>CEILING CLEARANCE:</b>	200mm
	<b>CEILING CUT-OUT:</b>	145mm
<b>CEILING THICKNESS:</b>	10-55mm	

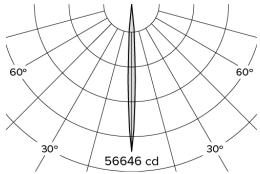
<b>CONTROL</b>	<b>MOVEMENT TYPE:</b>	Handheld
	<b>DIMMING OPTION:</b>	1-10V

**SPECIFICATION** DRX5 3000K LED (10W for light source) standard trim recessed luminaire with 4° optic. Manufactured from LM24 aluminium and glass-filled polycarbonate, with a mild-steel mounting ring. Finished in black (RAL 9005). Voltage is 100-277V 50/60HZ. Luminaire has high-performance colour rendering of 90+ CRI. Luminaire can be rotated, with +/- 185° movement through the pan axis and +35 through the tilt axis, at a resolution of less than 1° in either axis. Movement is controlled using a handheld remote, and dimming is controlled using external 1-10V dimming. Recording and recalling of scenes as standard.

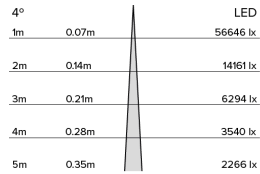
PART NO. **DRX5.0010**

**PRODUCT SUMMARY** DRX5 Spotlight; 100-277V 50/60Hz; Standard Trim Mounting; 4° Optic; 3000K 90+CRI LED 10W; Black; Movement using Handheld Remote; Dimming Using External (1-10V)

# DRX5; Recessed - Standard Trim LED 4° Optic 14W



Photometry



Cone Diagram

<b>MOVEMENT</b>	<b>MOVEMENT TYPE:</b>	Handheld
	<b>PAN MOVEMENT RANGE:</b>	+/-185°
	<b>TILT MOVEMENT RANGE:</b>	+35°
	<b>PAN MOVEMENT RESOLUTION:</b>	<1°
	<b>TILT MOVEMENT RESOLUTION:</b>	<1°
	<b>PAN SPEED OF MOVEMENT:</b>	20°/s
	<b>TILT SPEED OF MOVEMENT:</b>	20°/s

<b>LIGHTING</b>	<b>LIGHT SOURCE:</b>	LED
	<b>MIN. DISTANCE FROM TARGET:</b>	N/A
	<b>MODULE LUMEN OUTPUT:</b>	590LM
	<b>ABSOLUTE LUMEN OUTPUT:</b>	540LM
	<b>GLARE MECHANICAL CUT-OFF:</b>	26°
	<b>GLARE COMFORT CUT-OFF:</b>	52°
<b>COLOUR TEMP:</b>	3000K	

<b>ELECTRICAL</b>	<b>VOLTAGE REGION:</b>	100-277V 50/60Hz
	<b>IEC PROTECTION CLASS:</b>	Class II
	<b>LIGHT SOURCE WATTAGE:</b>	10W
	<b>MOVEMENT WATTAGE:</b>	3W
	<b>LUMINAIRE CIRCUIT WATTAGE:</b>	14W

PART NO.

**DRX5.0010**

**PRODUCT SUMMARY**

DRX5 Spotlight; 100-277V 50/60Hz; Standard Trim Mounting; 4° Optic; 3000K 90+CRI LED 10W; Black; Movement using Handheld Remote; Dimming Using External (1-10V)