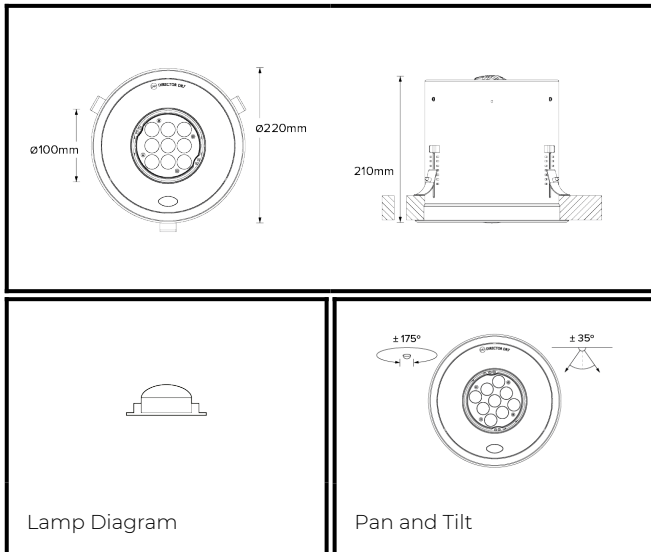


# DR7; Recessed - Standard LED 10° Optic 24W



PHYSICAL	<b>MOUNTING:</b>	Recessed - Standard
	<b>WEIGHT:</b>	2.96kg
	<b>FINISH:</b>	Black RAL9005
	<b>MAX AMBIENT TEMPERATURE:</b>	40°C
	<b>CEILING CLEARANCE:</b>	250mm
	<b>CEILING CUT-OUT:</b>	195mm
	<b>CEILING THICKNESS:</b>	3-45mm

CONTROL	<b>MOVEMENT TYPE:</b>	Handheld Remote
	<b>DIMMING OPTION:</b>	External-Leading

SPECIFICATION

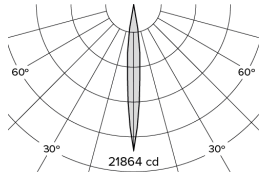
DR7 QR111 (100W Max) recessed luminaire. Manufactured from LM24 aluminium and glass-filled polycarbonate, with a mild-steel mounting ring. Finished in white (RAL 9010). Voltage is 220-240V 50/60HZ. Luminaire can be rotated, with +/- 175° movement through the pan axis and +/- 35° through the tilt axis, at a resolution of less than 1° in either axis. Movement and dimming is controlled using a handheld remote. Recording and recalling of scenes as standard.

PART NO.

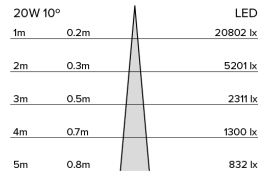
**DR7.0036**
**PRODUCT SUMMARY**

DR7 Spotlight; 220-240V 50/60Hz; Standard Trim Mounting; 10° Optic; 3000K 90+CRI LED 20W; Black; Movement using Handheld Remote; External Phase Dimming (Leading)

# DR7; Recessed - Standard LED 10° Optic 24W



Photometry



Cone Diagram

<b>MOVEMENT</b>	<b>MOVEMENT TYPE:</b>	Handheld Remote
	<b>PAN MOVEMENT RANGE:</b>	±175°
	<b>TILT MOVEMENT RANGE:</b>	±35°
	<b>PAN MOVEMENT RESOLUTION:</b>	<1°
	<b>TILT MOVEMENT RESOLUTION:</b>	<1°
	<b>PAN SPEED OF MOVEMENT:</b>	25°/s
	<b>TILT SPEED OF MOVEMENT:</b>	7°/s

<b>LIGHTING</b>	<b>LIGHT SOURCE:</b>	LED
	<b>MIN. DISTANCE FROM TARGET:</b>	
	<b>MODULE LUMEN OUTPUT:</b>	1300lm
	<b>ABSOLUTE LUMEN OUTPUT:</b>	1100lm
	<b>GLARE MECHANICAL CUT-OFF:</b>	27°
	<b>GLARE COMFORT CUT-OFF:</b>	50°
<b>COLOUR TEMP:</b>	3000K	

<b>ELECTRICAL</b>	<b>VOLTAGE REGION:</b>	220 - 240V 50/60Hz
	<b>IEC PROTECTION CLASS:</b>	Class 1
	<b>LIGHT SOURCE WATTAGE:</b>	20W
	<b>MOVEMENT WATTAGE:</b>	4W
	<b>LUMINAIRE CIRCUIT WATTAGE:</b>	24W

PART NO. **DR7.0036**

**PRODUCT SUMMARY** DR7 Spotlight; 220-240V 50/60Hz; Standard Trim Mounting; 10° Optic; 3000K 90+CRI LED 20W; Black; Movement using Handheld Remote; External Phase Dimming (Leading)