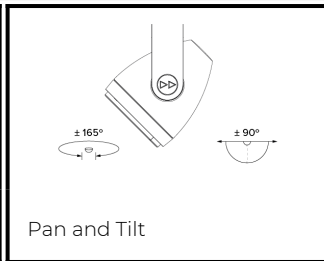
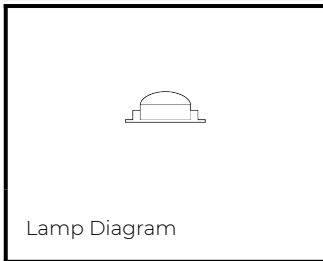
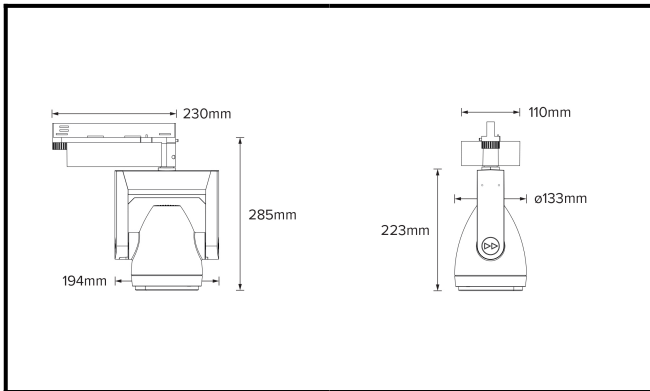


# DR8; 3-Circuit Track LED 6° Optic 24W



<b>PHYSICAL</b>	<b>MOUNTING:</b>	3-Circuit Track
	<b>WEIGHT:</b>	1.97kg
	<b>FINISH:</b>	White RAL9010
	<b>MAX AMBIENT TEMPERATURE:</b>	40°C
	<b>CEILING CLEARANCE:</b>	N/A
	<b>CEILING CUT-OUT:</b>	N/A
	<b>CEILING THICKNESS:</b>	N/A
<b>CONTROL</b>	<b>MOVEMENT TYPE:</b>	Handheld Remote
	<b>DIMMING OPTION:</b>	1-10V

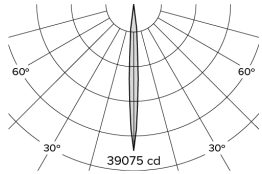
**SPECIFICATION** DR8 3000K LED (20W for light source) spotlight for 3-Circuit Eutrac with 6° optic. Manufactured from LM24 aluminium and glass-filled polycarbonate. Finished in white (RAL 9010). Voltage is 220-240V 50/60HZ. Luminaire has high-performance colour rendering of 90+ CRI. Luminaire can be rotated, with +/- 165° movement through the pan axis and +/- 90° through the tilt axis, at a resolution of less than 1° in either axis. Movement is controlled using a handheld remote, and dimming is controlled using external 1-10V dimming. Recording and recall of luminaire position (pan and tilt) with handheld remote controller as standard.

PART NO.

**DR8.0012**
**PRODUCT SUMMARY**

DR8 Spotlight; 220-240V 50/60Hz; 3~ Eutrac; 6° Optic; 3000K 90+CRI LED 20W; White; Movement using Handheld Remote; External Dimming (1-10V)

# DR8; 3-Circuit Track LED 6° Optic 24W



Photometry

Distance (m)	Beam Diameter (m)	LED Intensity (lx)
1m	0.1m	37287 lx
2m	0.2m	9322 lx
3m	0.3m	4143 lx
4m	0.4m	2330 lx
5m	0.6m	1491 lx

Cone Diagram

<b>MOVEMENT</b>	<b>MOVEMENT TYPE:</b>	Handheld Remote
	<b>PAN MOVEMENT RANGE:</b>	±165°
	<b>TILT MOVEMENT RANGE:</b>	±90°
	<b>PAN MOVEMENT RESOLUTION:</b>	<1°
	<b>TILT MOVEMENT RESOLUTION:</b>	±90°
	<b>PAN SPEED OF MOVEMENT:</b>	23°/s
	<b>TILT SPEED OF MOVEMENT:</b>	16°/s

<b>LIGHTING</b>	<b>LIGHT SOURCE:</b>	LED
	<b>MIN. DISTANCE FROM TARGET:</b>	N/A
	<b>MODULE LUMEN OUTPUT:</b>	1300lm
	<b>ABSOLUTE LUMEN OUTPUT:</b>	1100lm
	<b>GLARE MECHANICAL CUT-OFF:</b>	22°
	<b>GLARE COMFORT CUT-OFF:</b>	50°
<b>COLOUR TEMP:</b>	3000K	

<b>ELECTRICAL</b>	<b>VOLTAGE REGION:</b>	220 - 240V 50/60Hz
	<b>IEC PROTECTION CLASS:</b>	Class 1
	<b>LIGHT SOURCE WATTAGE:</b>	20W
	<b>MOVEMENT WATTAGE:</b>	4W
	<b>LUMINAIRE CIRCUIT WATTAGE:</b>	24W

PART NO. **DR8.0012**

**PRODUCT SUMMARY**

DR8 Spotlight; 220-240V 50/60Hz; 3~ Eutrac; 6° Optic; 3000K 90+CRI LED 20W; White; Movement using Handheld Remote; External Dimming (1-10V)