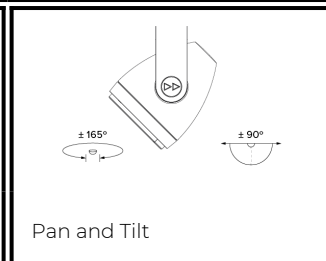
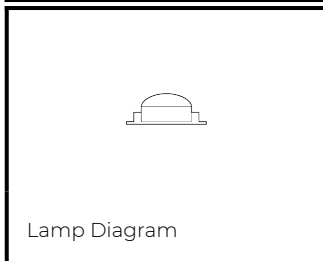
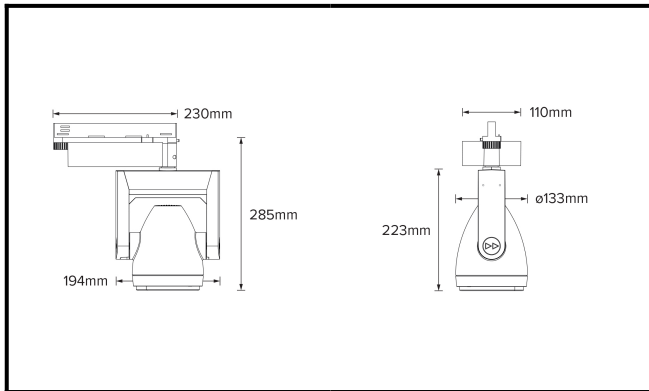


DR8; 3-Circuit Track LED 24° Optic 24W



| | | |
|-----------------|---------------------------------|--|
| PHYSICAL | CONSTRUCTION MATERIALS: | LM24 Aluminium, Glass-filled Polycarbonate |
| | MOUNTING: | 3-Circuit Track |
| | WEIGHT: | 1.97kg |
| | FINISH: | White RAL9010 |
| | MAX AMBIENT TEMPERATURE: | 40°C |
| | CEILING CLEARANCE: | N/A |
| | CEILING CUT-OUT: | N/A |
| | CEILING THICKNESS: | N/A |

| | | |
|----------------|------------------------|------------------|
| CONTROL | MOVEMENT TYPE: | Handheld Remote |
| | DIMMING OPTION: | Handheld Control |

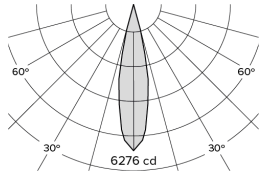
SPECIFICATION DR8 3000K LED (20W for light source) spotlight for 3-Circuit Eutrac with 24° optic. Manufactured from LM24 aluminium and glass-filled polycarbonate. Finished in white (RAL 9010). Voltage is 220-240V 50/60HZ. Luminaire has high-performance colour rendering of 90+ CRI. Luminaire can be rotated, with +/- 165° movement through the pan axis and +/- 90° through the tilt axis, at a resolution of less than 1° in either axis. Movement and dimming is controlled using a handheld remote. Recording and recalling of scenes as standard.

PART NO.

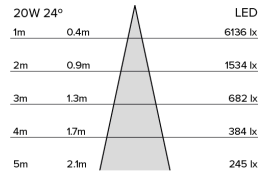
DR8.0039
PRODUCT SUMMARY

DR8 Spotlight; 220-240V 50/60Hz; 3~ Eutrac; 24° Optic; 3000K 90+CRI LED 20W; White; Movement & Dimming using Handheld Remote

DR8; 3-Circuit Track LED 24° Optic 24W



Photometry



Cone Diagram

| | | |
|-----------------|----------------------------------|-----------------|
| MOVEMENT | MOVEMENT TYPE: | Handheld Remote |
| | PAN MOVEMENT RANGE: | ±165° |
| | TILT MOVEMENT RANGE: | ±90° |
| | PAN MOVEMENT RESOLUTION: | <1° |
| | TILT MOVEMENT RESOLUTION: | ±90° |
| | PAN SPEED OF MOVEMENT: | 23°/s |
| | TILT SPEED OF MOVEMENT: | 16°/s |

| | | |
|-----------------|-----------------------------------|--------|
| LIGHTING | LIGHT SOURCE: | LED |
| | MIN. DISTANCE FROM TARGET: | N/A |
| | MODULE LUMEN OUTPUT: | 1300lm |
| | ABSOLUTE LUMEN OUTPUT: | 1100lm |
| | GLARE MECHANICAL CUT-OFF: | 22° |
| | GLARE COMFORT CUT-OFF: | 50° |
| | COLOUR TEMP: | 3000K |

| | | |
|-------------------|-----------------------------------|--------------------|
| ELECTRICAL | VOLTAGE REGION: | 220 - 240V 50/60Hz |
| | IEC PROTECTION CLASS: | Class 1 |
| | LIGHT SOURCE WATTAGE: | 20W |
| | MOVEMENT WATTAGE: | 4W |
| | LUMINAIRE CIRCUIT WATTAGE: | 24W |

PART NO.

DR8.0039

PRODUCT SUMMARY

DR8 Spotlight; 220-240V 50/60Hz; 3~ Eutrac; 24° Optic; 3000K 90+CRI LED 20W; White; Movement & Dimming using Handheld Remote