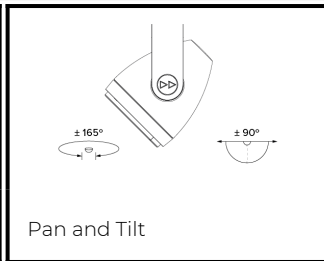
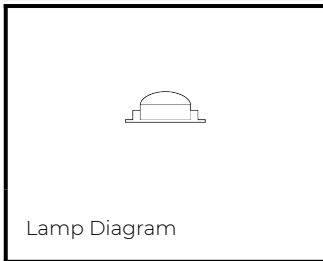
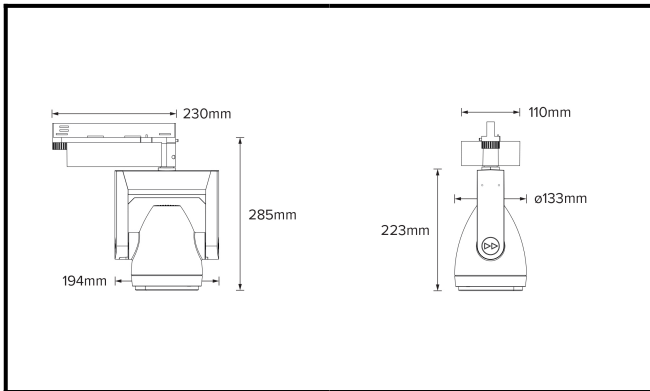


# DR8; 3-Circuit Track LED 24° Optic 24W



<b>PHYSICAL</b>	<b>CONSTRUCTION MATERIALS:</b>	LM24 Aluminium, Glass-filled Polycarbonate
	<b>MOUNTING:</b>	3-Circuit Track
	<b>WEIGHT:</b>	1.97kg
	<b>FINISH:</b>	White RAL9010
	<b>MAX AMBIENT TEMPERATURE:</b>	40°C
	<b>CEILING CLEARANCE:</b>	N/A
	<b>CEILING CUT-OUT:</b>	N/A
<b>CEILING THICKNESS:</b>	N/A	

<b>CONTROL</b>	<b>MOVEMENT TYPE:</b>	Handheld Remote
	<b>DIMMING OPTION:</b>	DALI Dimming

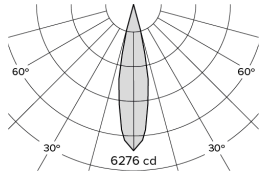
**SPECIFICATION** DR8 3000K LED (20W for light source) spotlight for 3-Circuit Eutrac with 24° optic. Manufactured from LM24 aluminium and glass-filled polycarbonate. Finished in white (RAL 9010). Voltage is 220-240V 50/60HZ. Luminaire has high-performance colour rendering of 90+ CRI. Luminaire can be rotated, with +/- 165° movement through the pan axis and +/- 90° through the tilt axis, at a resolution of less than 1° in either axis. Movement is controlled using a handheld remote, and dimming is controlled using external DALI dimming. Recording and recall of luminaire position (pan and tilt) with handheld remote controller as standard.

PART NO.

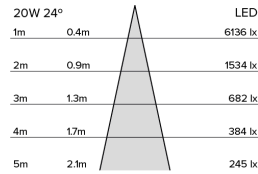
**DR8.0043**
**PRODUCT SUMMARY**

DR8 Spotlight; 220-240V 50/60Hz; 3~ Eutrac; 24° Optic; 3000K 90+CRI LED 20W; White; Movement using Handheld Remote; Dimming Using External DALI Control

# DR8; 3-Circuit Track LED 24° Optic 24W



Photometry



Cone Diagram

<b>MOVEMENT</b>	<b>MOVEMENT TYPE:</b>	Handheld Remote
	<b>PAN MOVEMENT RANGE:</b>	±165°
	<b>TILT MOVEMENT RANGE:</b>	±90°
	<b>PAN MOVEMENT RESOLUTION:</b>	<1°
	<b>TILT MOVEMENT RESOLUTION:</b>	±90°
	<b>PAN SPEED OF MOVEMENT:</b>	23°/s
	<b>TILT SPEED OF MOVEMENT:</b>	16°/s

<b>LIGHTING</b>	<b>LIGHT SOURCE:</b>	LED
	<b>MIN. DISTANCE FROM TARGET:</b>	N/A
	<b>MODULE LUMEN OUTPUT:</b>	1300lm
	<b>ABSOLUTE LUMEN OUTPUT:</b>	1100lm
	<b>GLARE MECHANICAL CUT-OFF:</b>	22°
	<b>GLARE COMFORT CUT-OFF:</b>	50°
	<b>COLOUR TEMP:</b>	3000K

<b>ELECTRICAL</b>	<b>VOLTAGE REGION:</b>	220 - 240V 50/60Hz
	<b>IEC PROTECTION CLASS:</b>	Class 1
	<b>LIGHT SOURCE WATTAGE:</b>	20W
	<b>MOVEMENT WATTAGE:</b>	4W
	<b>LUMINAIRE CIRCUIT WATTAGE:</b>	24W

PART NO.

**DR8.0043**

**PRODUCT SUMMARY**

DR8 Spotlight; 220-240V 50/60Hz; 3~ Eutrac; 24° Optic; 3000K 90+CRI LED 20W; White; Movement using Handheld Remote; Dimming Using External DALI Control