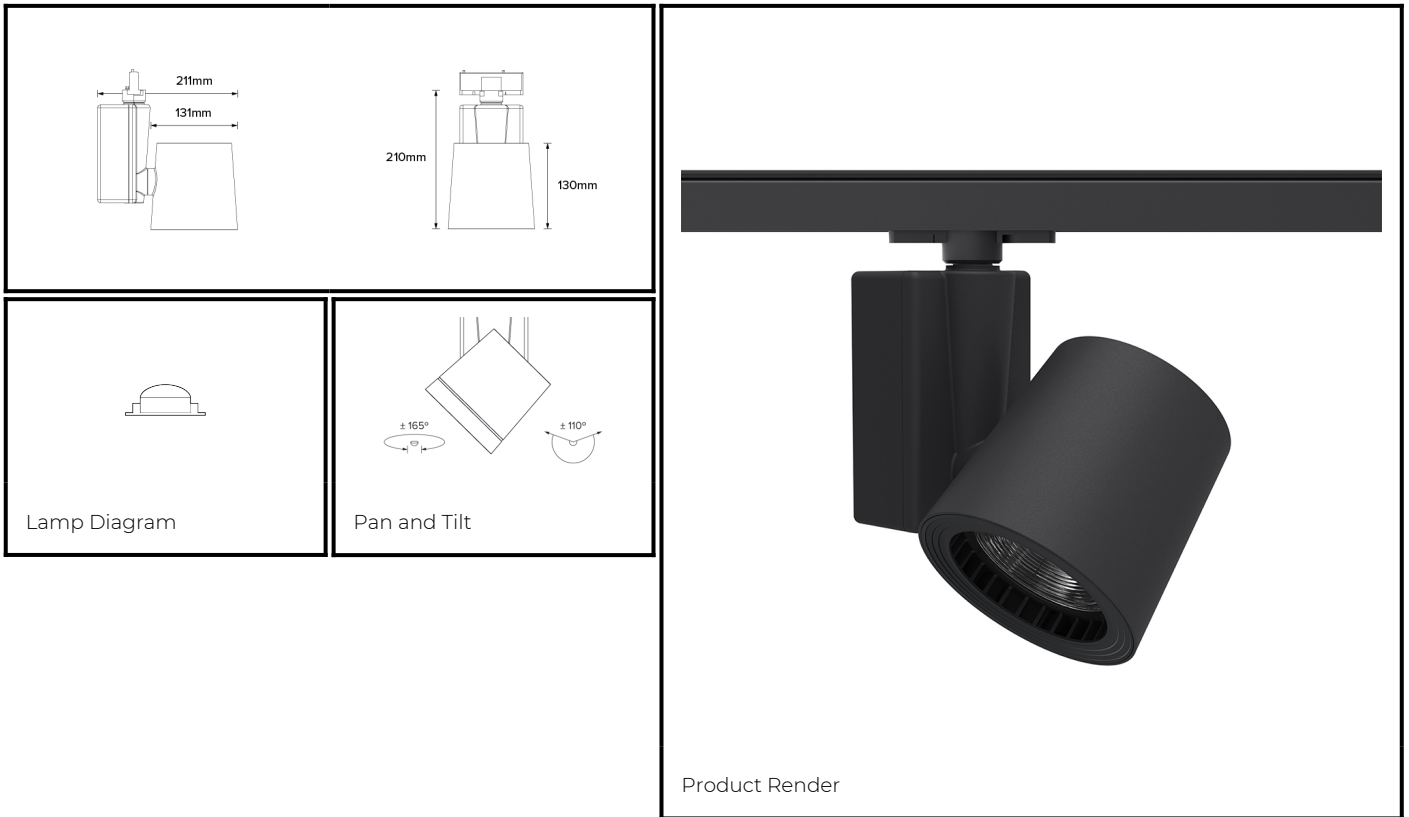


# DRX2; 1-Circuit Track LED 7° Optic 36W



|                 |                                 |  |
|-----------------|---------------------------------|--|
| <b>PHYSICAL</b> | <b>CONSTRUCTION MATERIALS:</b>  | A380 Aluminium, Glass-filled Polycarbonate |
|                 | <b>MOUNTING:</b>                | 1-Circuit Track                            |
|                 | <b>WEIGHT:</b>                  | 1.9 kg                                     |
|                 | <b>FINISH:</b>                  | Black RAL9005                              |
|                 | <b>MAX AMBIENT TEMPERATURE:</b> | 40°C                                       |
|                 | <b>CEILING CLEARANCE:</b>       | N/A  |
|                 | <b>CEILING CUT-OUT:</b>         | N/A  |
|                 | <b>CEILING THICKNESS:</b>       | N/A  |

|                |                        |          |
|----------------|------------------------|----------|
| <b>CONTROL</b> | <b>MOVEMENT TYPE:</b>  | Handheld |
|                | <b>DIMMING OPTION:</b> | DMX      |

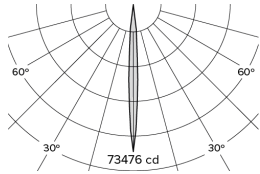
**SPECIFICATION** DRX2 2700K LED (25W for light source) compact spotlight for 1-Circuit Eutrac with 7° optic. Manufactured from A380 aluminium and glass-filled polycarbonate. Finished in black (RAL 9005). Voltage is 100-240V 50/60HZ. Luminaire has high-performance colour rendering of 90+ CRI. Luminaire can be rotated, with +/- 165° movement through the pan axis and +/- 110° through the tilt axis, at a resolution of less than 1° in either axis. Movement is controlled using a handheld remote, and dimming is controlled using DMX. Recording and recalling of scenes as standard.

PART NO. **DRX2.0008**

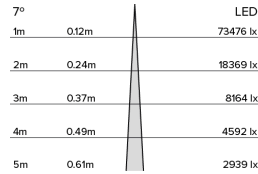
**PRODUCT SUMMARY**

DRX2 Spotlight; 100-240V 50/60Hz; 1~ Eutrac; 7° Optic; 2700K 90+CRI COB LED 25W; Black; Movement using Handheld Remote; Dimming using DMX Control

# DRX2; 1-Circuit Track LED 7° Optic 36W



Photometry



Cone Diagram

|          |                                  |          |
|----------|----------------------------------|----------|
| MOVEMENT | <b>MOVEMENT TYPE:</b>            | Handheld |
|          | <b>PAN MOVEMENT RANGE:</b>       | ±165°    |
|          | <b>TILT MOVEMENT RANGE:</b>      | ±110°    |
|          | <b>PAN MOVEMENT RESOLUTION:</b>  | <1°      |
|          | <b>TILT MOVEMENT RESOLUTION:</b> | <1°      |
|          | <b>PAN SPEED OF MOVEMENT:</b>    | 24°/s    |
|          | <b>TILT SPEED OF MOVEMENT:</b>   | 22°/s    |

|                     |                                   |        |
|---------------------|-----------------------------------|--------|
| LIGHTING            | <b>LIGHT SOURCE:</b>              | LED    |
|                     | <b>MIN. DISTANCE FROM TARGET:</b> | N/A    |
|                     | <b>MODULE LUMEN OUTPUT:</b>       | 2200LM |
|                     | <b>ABSOLUTE LUMEN OUTPUT:</b>     | 1814LM |
|                     | <b>GLARE MECHANICAL CUT-OFF:</b>  | 11°    |
|                     | <b>GLARE COMFORT CUT-OFF:</b>     | 53°    |
| <b>COLOUR TEMP:</b> | 2700K                             |        |

|            |                                   |                  |
|------------|-----------------------------------|------------------|
| ELECTRICAL | <b>VOLTAGE REGION:</b>            | 100-240V 50/60Hz |
|            | <b>IEC PROTECTION CLASS:</b>      | Class I          |
|            | <b>LIGHT SOURCE WATTAGE:</b>      | 25W              |
|            | <b>MOVEMENT WATTAGE:</b>          | 5W               |
|            | <b>LUMINAIRE CIRCUIT WATTAGE:</b> | 36W              |

PART NO. **DRX2.0008**

**PRODUCT SUMMARY**

DRX2 Spotlight; 100-240V 50/60Hz; 1~ Eutrac; 7° Optic; 2700K 90+CRI COB LED 25W; Black; Movement using Handheld Remote; Dimming using DMX Control