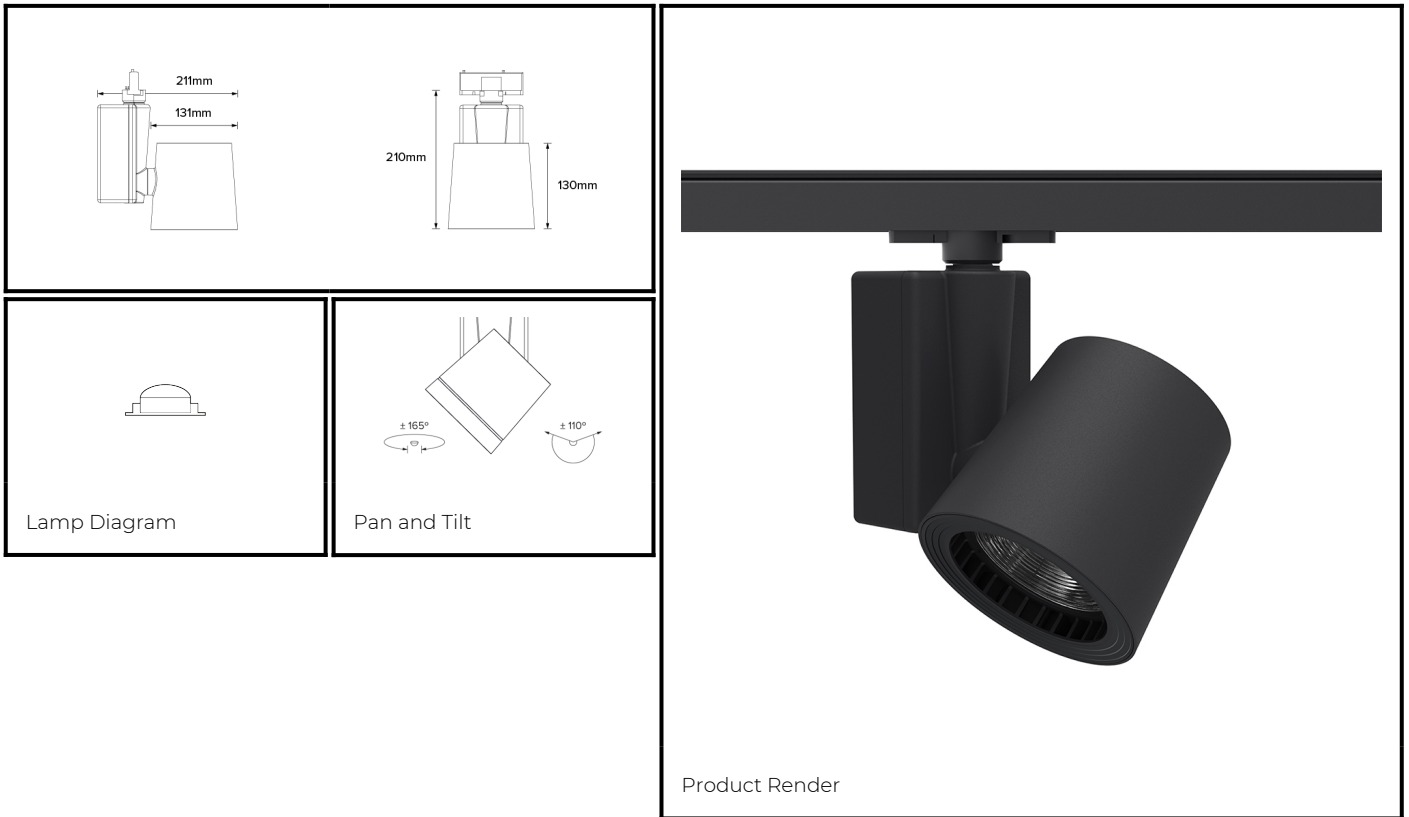


# DRX2; 2-Circuit Track LED 7° Optic 36W



PHYSICAL	<b>CONSTRUCTION MATERIALS:</b>	A380 Aluminium, Glass-filled Polycarbonate
	<b>MOUNTING:</b>	2-Circuit Track
	<b>WEIGHT:</b>	1.9 kg
	<b>FINISH:</b>	Black RAL9005
	<b>MAX AMBIENT TEMPERATURE:</b>	40°C
	<b>CEILING CLEARANCE:</b>	N/A
	<b>CEILING CUT-OUT:</b>	N/A
	<b>CEILING THICKNESS:</b>	N/A

CONTROL	<b>MOVEMENT TYPE:</b>	DMX
	<b>DIMMING OPTION:</b>	DMX

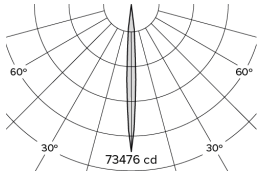
**SPECIFICATION** DRX2 2700K LED (25W for light source) compact spotlight for 2-Circuit Eutrac with 7° optic. Manufactured from A380 aluminium and glass-filled polycarbonate. Finished in black (RAL 9005). Voltage is 100-240V 50/60HZ. Luminaire has high-performance colour rendering of 90+ CRI. Luminaire can be rotated, with +/- 165° movement through the pan axis and +/- 110° through the tilt axis, at a resolution of less than 1° in either axis. Movement and dimming is controlled by DMX. Recording and recalling of scenes as standard.

PART NO. DRX2.0045

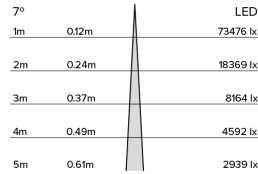
**PRODUCT SUMMARY**

DRX2 Spotlight; 100-240V 50/60Hz; 2~ Eutrac; 7° Optic; 2700K 90+CRI COB LED 25W; Black; Movement & Dimming using DMX Control only

# DRX2; 2-Circuit Track LED 7° Optic 36W



Photometry



Cone Diagram

<b>MOVEMENT</b>	<b>MOVEMENT TYPE:</b>	DMX
	<b>PAN MOVEMENT RANGE:</b>	±165°
	<b>TILT MOVEMENT RANGE:</b>	±110°
	<b>PAN MOVEMENT RESOLUTION:</b>	<1°
	<b>TILT MOVEMENT RESOLUTION:</b>	<1°
	<b>PAN SPEED OF MOVEMENT:</b>	24°/s
	<b>TILT SPEED OF MOVEMENT:</b>	22°/s

<b>LIGHTING</b>	<b>LIGHT SOURCE:</b>	LED
	<b>MIN. DISTANCE FROM TARGET:</b>	N/A
	<b>MODULE LUMEN OUTPUT:</b>	2200LM
	<b>ABSOLUTE LUMEN OUTPUT:</b>	1814LM
	<b>GLARE MECHANICAL CUT-OFF:</b>	11°
	<b>GLARE COMFORT CUT-OFF:</b>	53°
<b>COLOUR TEMP:</b>	2700K	

<b>ELECTRICAL</b>	<b>VOLTAGE REGION:</b>	100-240V 50/60Hz
	<b>IEC PROTECTION CLASS:</b>	Class 1
	<b>LIGHT SOURCE WATTAGE:</b>	25W
	<b>MOVEMENT WATTAGE:</b>	5W
	<b>LUMINAIRE CIRCUIT WATTAGE:</b>	36W

PART NO.

**DRX2.0045**

**PRODUCT SUMMARY**

DRX2 Spotlight; 100-240V 50/60Hz; 2~ Eutrac; 7° Optic; 2700K 90+CRI COB LED 25W; Black; Movement & Dimming using DMX Control only