

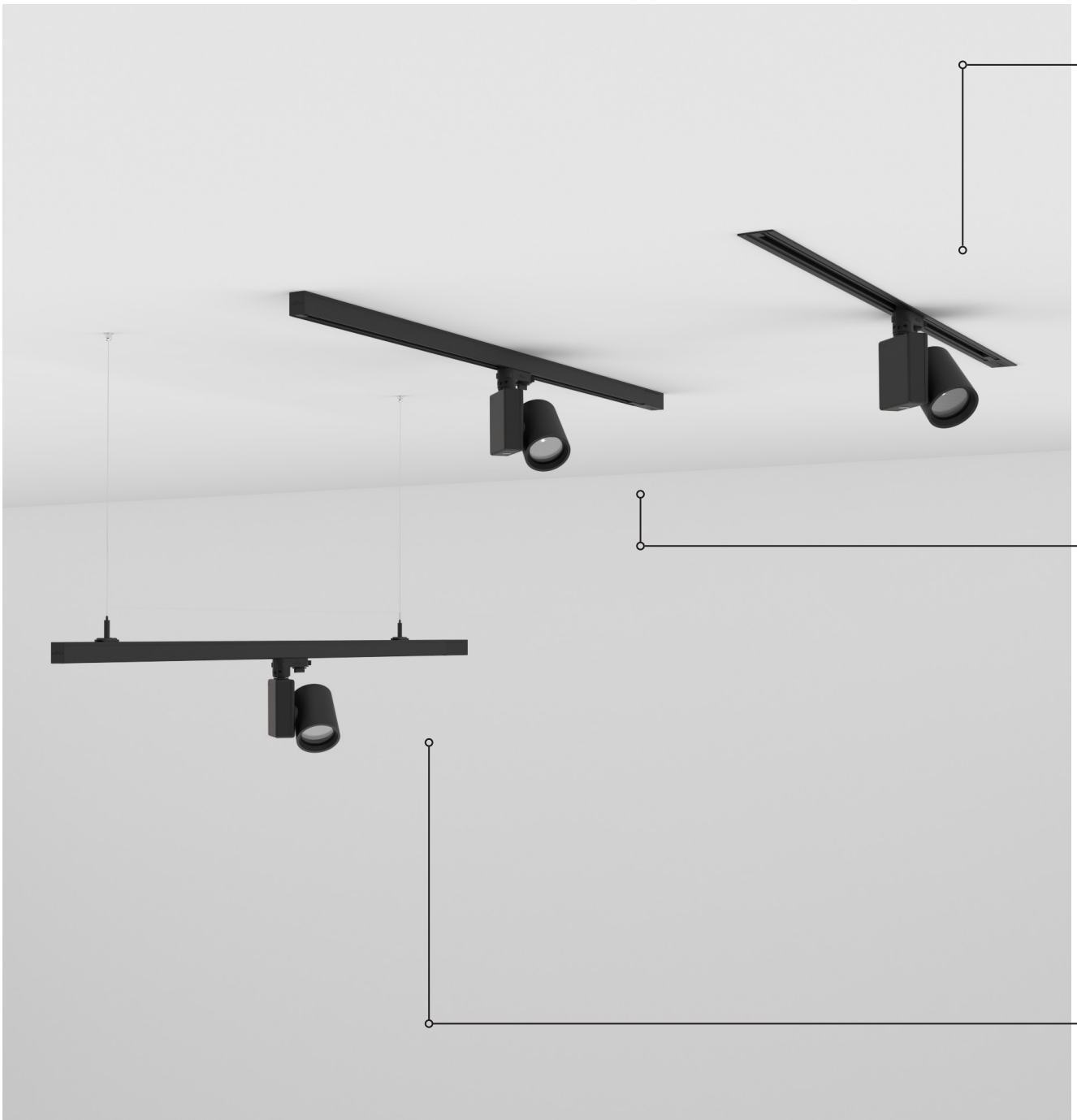
## STUCCHI ONETRACK UL 120V 277V AC



RECESSED

SURFACE

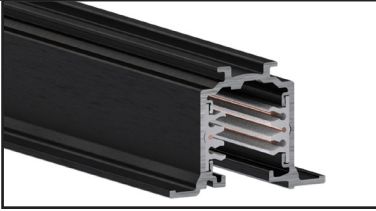
SUSPENDED



DRX1 SHOWN ON STUCCHI ONETRACK UL SUSPENDED, SURFACE AND RECESSED

# Stucchi ONETRACK UL Offerings

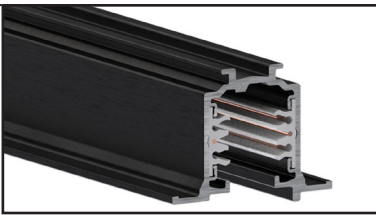
ONETRACK UL - Recessed 120V 2 Circuits



ORDER CODE

	4.0ft	8.0ft
White	OT-120-2-REC-WH-4F	OT-120-2-REC-WH-8F
Black	OT-120-2-REC-BK-4F	OT-120-2-REC-BK-8F

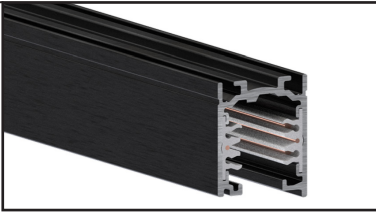
ONETRACK UL - Recessed 277V 2 Circuits



ORDER CODE

	4.0ft	8.0ft
White	OT-277-2-REC-WH-4F	OT-277-2-REC-WH-8F
Black	OT-277-2-REC-BK-4F	OT-277-2-REC-BK-8F

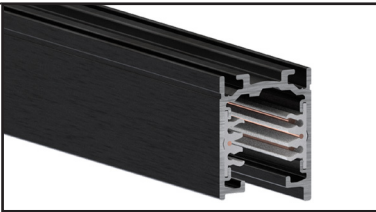
ONETRACK UL - Surface 120V 2 Circuits



ORDER CODE

	4.0ft	8.0ft	12.0ft
White	OT-120-2-SUR-WH-4F	OT-120-2-SUR-WH-8F	OT-120-2-SUR-WH-12F
Black	OT-120-2-SUR-BK-4F	OT-120-2-SUR-BK-8F	OT-120-2-SUR-BK-12F

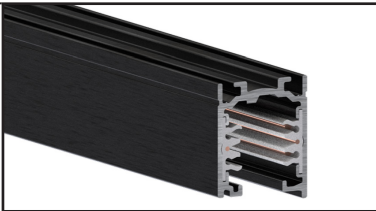
ONETRACK UL - Surface 277V 2 Circuits



ORDER CODE

	4.0ft	8.0ft	12.0ft
White	OT-277-2-SUR-WH-4F	OT-277-2-SUR-WH-8F	OT-277-2-SUR-WH-12F
Black	OT-277-2-SUR-BK-4F	OT-277-2-SUR-BK-8F	OT-277-2-SUR-BK-12F

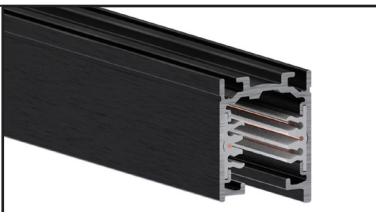
ONETRACK UL - Suspended 120V 2 Circuits



ORDER CODE

	4.0ft	8.0ft	12.0ft
White	OT-120-2-SUS-WH-4F	OT-120-2-SUS-WH-8F	OT-120-2-SUS-WH-12F
Black	OT-120-2-SUS-BK-4F	OT-120-2-SUS-BK-8F	OT-120-2-SUS-BK-12F

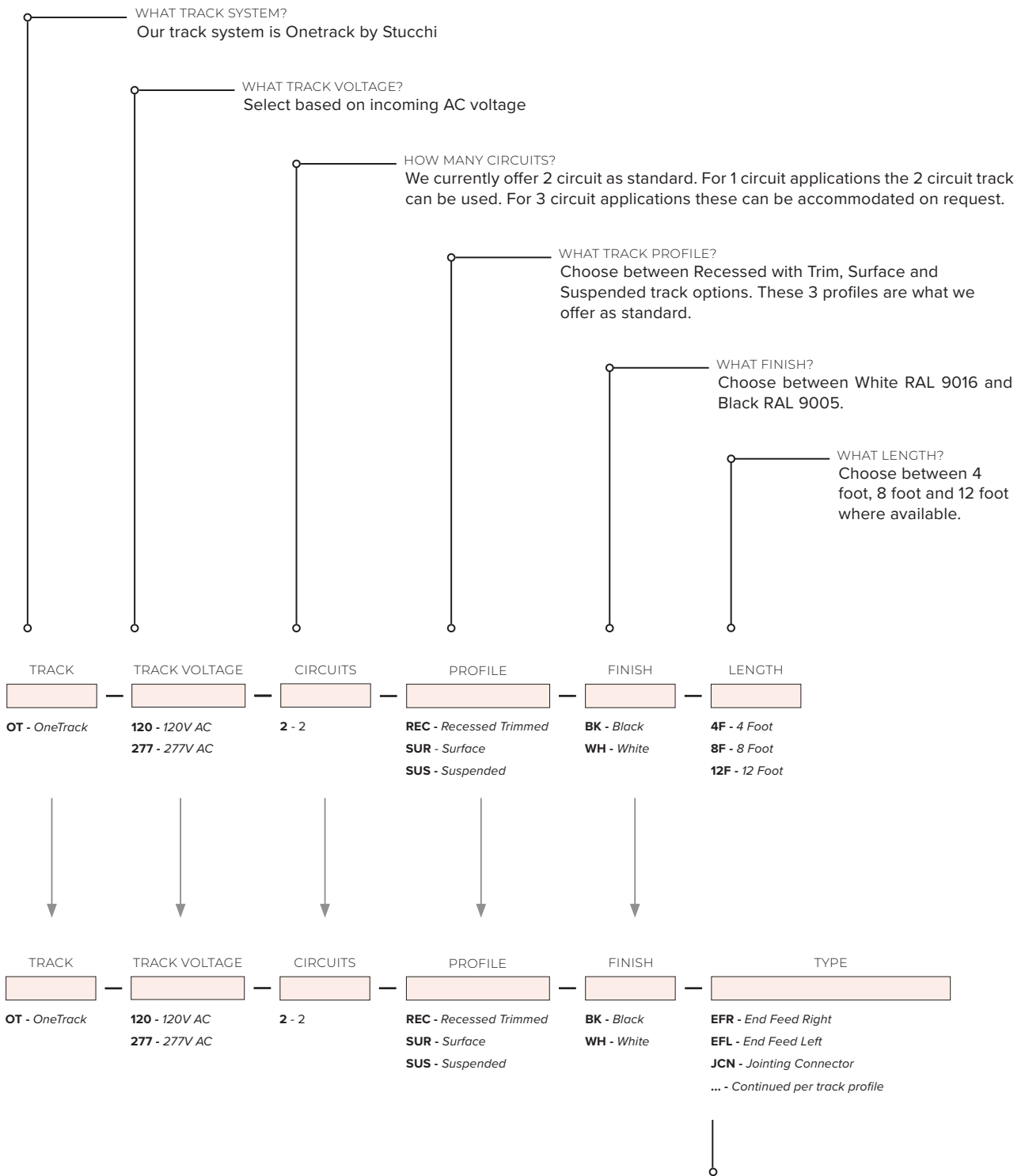
ONETRACK UL - Suspended 277V 2 Circuits



ORDER CODE

	4.0ft	8.0ft	12.0ft
White	OT-277-2-SUS-WH-4F	OT-277-2-SUS-WH-8F	OT-277-2-SUS-WH-12F
Black	OT-277-2-SUS-BK-4F	OT-277-2-SUS-BK-8F	OT-277-2-SUS-BK-12F

# How to specify track



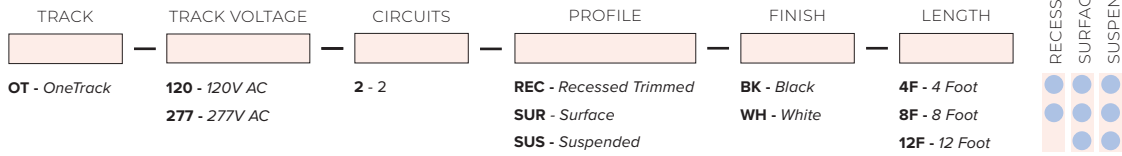
Ensure that your selection of Track, Voltage, Circuits, Profile and Finish matches between the Track and Accessories.

**WHAT TRACK ACCESSORY/CONNECTOR?**

When choosing track accessories and connectors pay attention to polarity requirements. We offer as standard a slimmed down Onetrack range of accessories to cover the essentials. If there is an item you require not seen here please contact us.

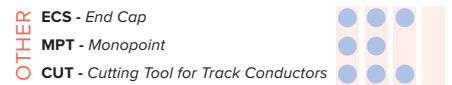
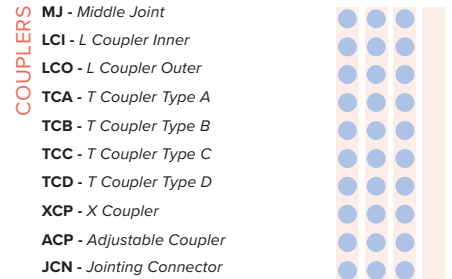
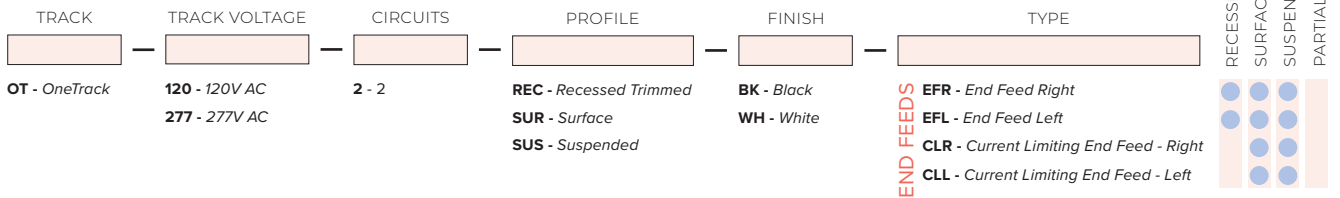
# Code Builder

## TRACK



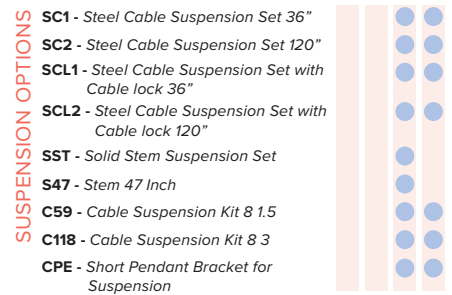
12ft Length only available as Surface and Suspended track.

## ACCESSORIES



## CODE EXAMPLE

Track: OT-120-SUR-2-BK-4F  
Accessories: OT-120-SUR-2-BK-EFL

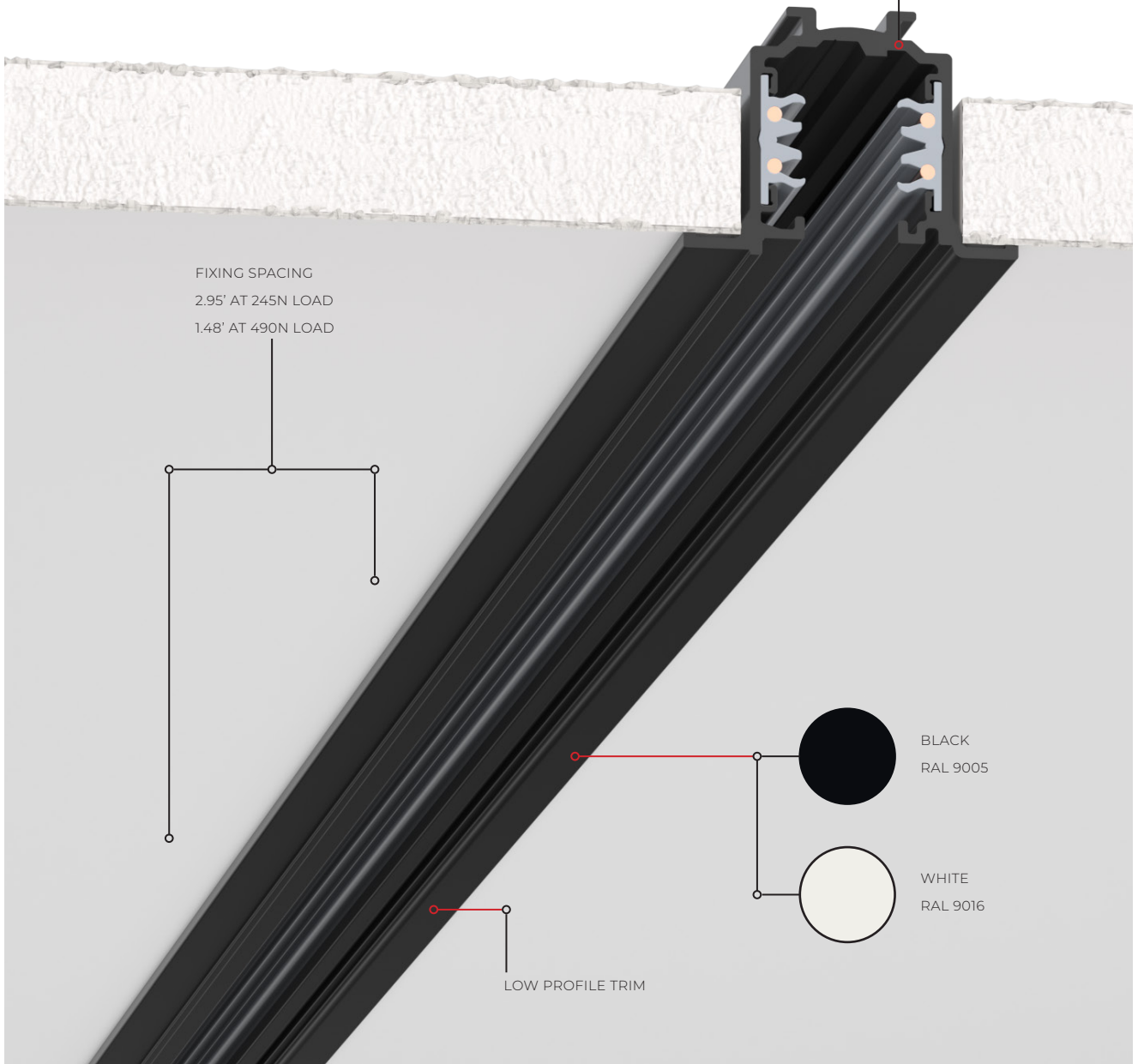
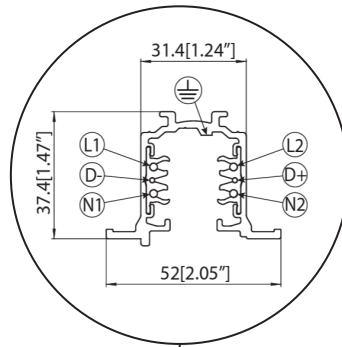
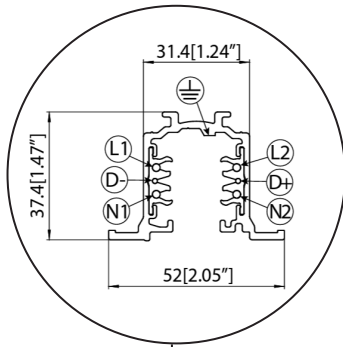




RECESSED

120V 2 CIRCUIT

277V 2 CIRCUIT



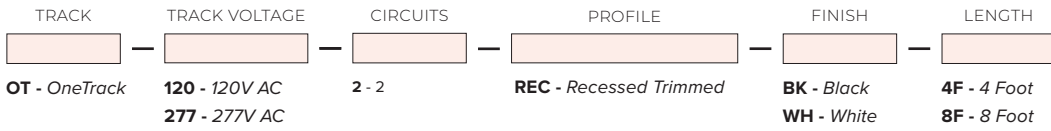
FIXING SPACING  
2.95' AT 245N LOAD  
1.48' AT 490N LOAD

- BLACK  
RAL 9005
- WHITE  
RAL 9016

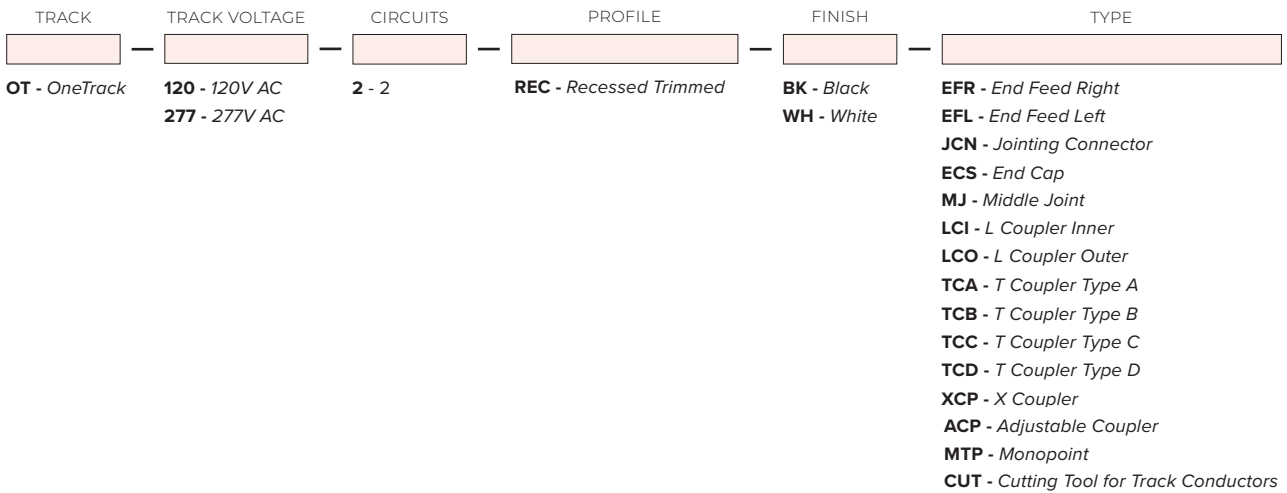
LOW PROFILE TRIM

# Recessed Code Builder

## TRACK



## ACCESSORIES



### CODE EXAMPLE

Track: OT-120-REC-2-BK-4F

Accessories: OT-120-REC-2-BK-EFL



## ONETRACK UL Recessed 2 Circuit Track 120v and 277V AC

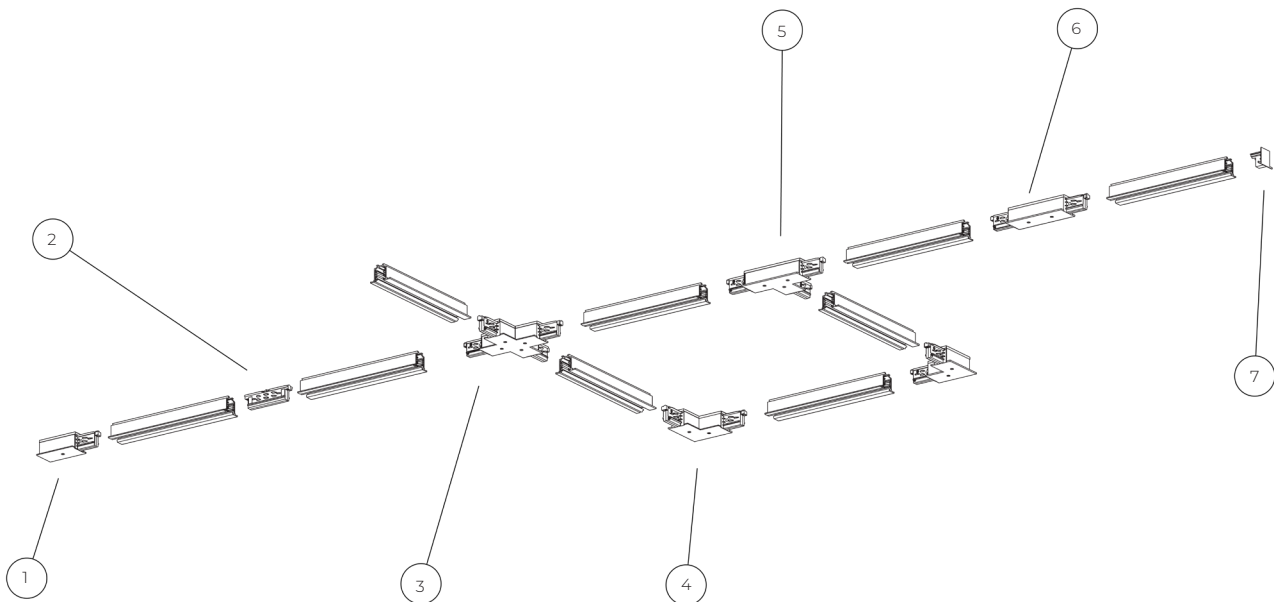
Stucchi OneTrack UL Recessed track is available in both 2 circuit 120V and 277V AC in lengths of 4 ft or 8 ft. It is a flexible 3 phase mixed system with two additional conductors for managing general data signals like DALI or 0 - 10 V (1 – 10V).

It is available in black and white finishes. The external body is made up of extruded aluminium, insulated in PVC with copper conductors.

IT SUPPORTS:

L1/L2/N1/N2/ground 2x120V/20A + D+/D- 2x1A/50V FELV AC (DALI)

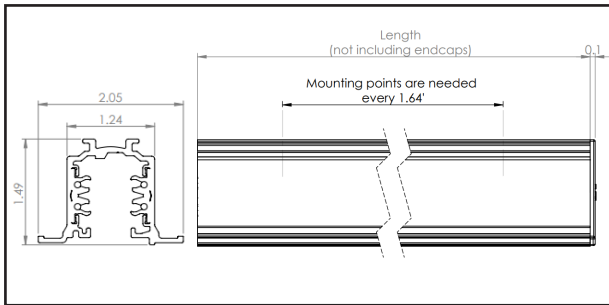
L1/L2/N1/N2/ground 2x277V/20A + D+/D- 2x1A/50V FELV AC (DALI)



KEY:

1. End Feed with recessed cover
2. Joining Connector - internal connector for track lengths
3. X Feed with recessed cover
4. L Feed with recessed cover
5. T Feed with recessed cover
6. Middle Joint with recessed cover - connects track lengths
7. Recessed End Cap

## ONETRACK UL Recessed 120V 2 Circuit



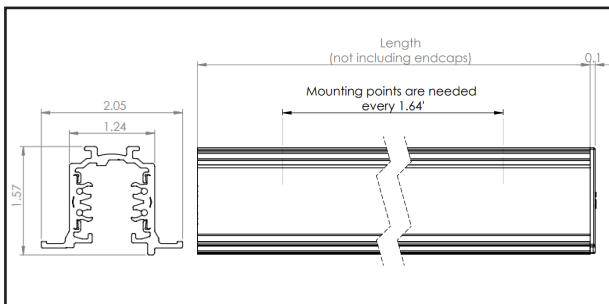
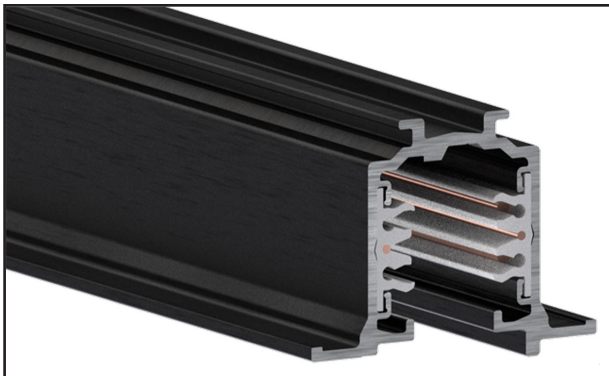
**PHYSICAL**

CONSTRUCTION MATERIALS:	Extruded aluminium profile; Insulated extruded PVC body Copper conductors	
NO. CIRCUITS:	2x independent switchable circuits	
DATA BUS:	Yes	
WEIGHT:	3.09lbs (4ft)	
CUTTING:	Cutting to length on site possible	

**ORDER CODE**

	4.0ft	8.0ft
White	OT-120-2-REC-WH-4F	OT-120-2-REC-WH-8F
Black	OT-120-2-REC-BK-4F	OT-120-2-REC-BK-8F

## ONETRACK UL Recessed 277V 2 Circuit



**PHYSICAL**

CONSTRUCTION MATERIALS:	Extruded aluminium profile; Insulated extruded PVC body Copper conductors	
NO. CIRCUITS:	2x independent switchable circuits	
DATA BUS:	Yes	
WEIGHT:	3.09lbs kg (4 ft)	
CUTTING:	Cutting to length on site possible	

**ORDER CODE**

	4.0ft	8.0ft
White	OT-277-2-REC-WH-4F	OT-277-2-REC-WH-8F
Black	OT-277-2-REC-BK-4F	OT-277-2-REC-BK-8F

# Recessed Track Hardware Options

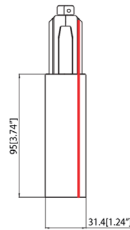
END FEEDS

## END FEED FOR 2 CIRCUIT APPLICATION - RIGHT

To be used with recessed cover, codes below for assembled unit

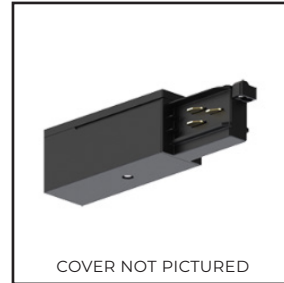


- BLACK:**  
OT-120-2-REC-BK-EFR  
OT-277-2-REC-BK-EFR
- WHITE:**  
OT-120-2-REC-WH-EFR  
OT-277-2-REC-WH-EFR

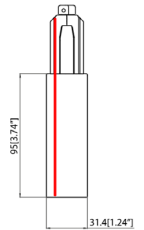


## END FEED FOR 2 CIRCUIT APPLICATION - LEFT

To be used with recessed cover, codes below for assembled unit



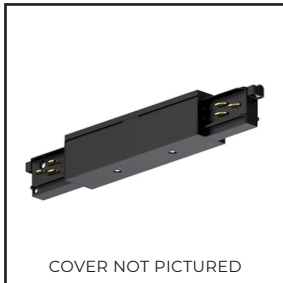
- BLACK:**  
OT-120-2-REC-BK-EFL  
OT-277-2-REC-BK-EFL
- WHITE:**  
OT-120-2-REC-WH-EFL  
OT-277-2-REC-WH-EFL



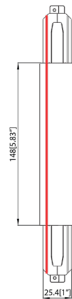
COUPLERS

## MIDDLE JOINT FOR 2 CIRCUIT APPLICATION

To be used with recessed cover, codes below for assembled unit

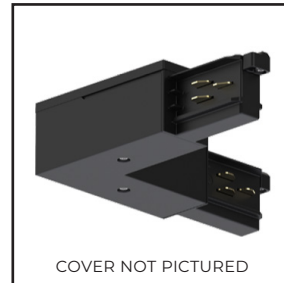


- BLACK:**  
OT-120-2-REC-BK-MJ  
OT-277-2-REC-BK-MJ
- WHITE:**  
OT-120-2-REC-WH-MJ  
OT-277-2-REC-WH-MJ

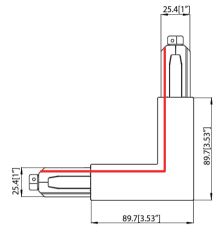


## L FEED FOR 2 CIRCUIT APPLICATION - INNER

To be used with recessed cover, codes below for assembled unit

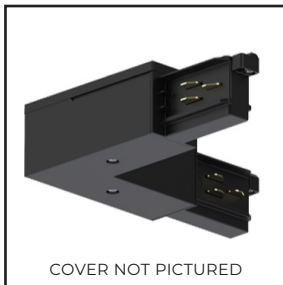


- BLACK:**  
OT-120-2-REC-BK-LCI  
OT-277-2-REC-BK-LCI
- WHITE:**  
OT-120-2-REC-WH-LCI  
OT-277-2-REC-WH-LCI

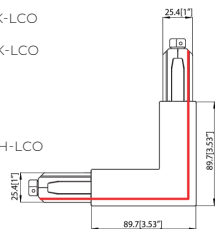


## L FEED FOR 2 CIRCUIT APPLICATION - OUTER

To be used with recessed cover, codes below for assembled unit

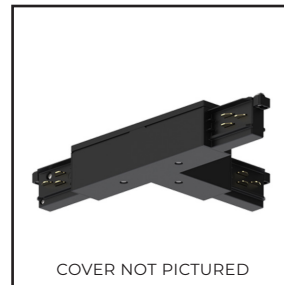


- BLACK:**  
OT-120-2-REC-BK-LCO  
OT-277-2-REC-BK-LCO
- WHITE:**  
OT-120-2-REC-WH-LCO  
OT-277-2-REC-WH-LCO

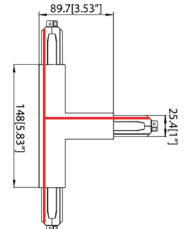


## T FEED FOR 2 CIRCUIT APPLICATION - TYPE A

To be used with recessed cover, codes below for assembled unit



- BLACK:**  
OT-120-2-REC-BK-TCA  
OT-277-2-REC-BK-TCA
- WHITE:**  
OT-120-2-REC-WH-TCA  
OT-277-2-REC-WH-TCA

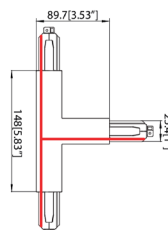


## T FEED FOR 2 CIRCUIT APPLICATION - TYPE B

To be used with recessed cover, codes below for assembled unit

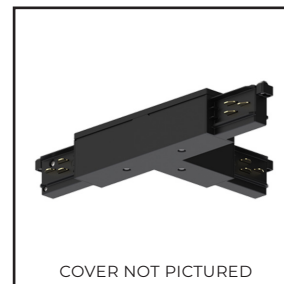


- BLACK:**  
OT-120-2-REC-BK-TCB  
OT-277-2-REC-BK-TCB
- WHITE:**  
OT-120-2-REC-WH-TCB  
OT-277-2-REC-WH-TCB

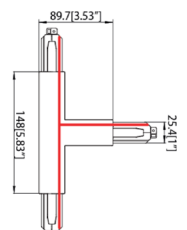


## T FEED FOR 2 CIRCUIT APPLICATION - TYPE C

To be used with recessed cover, codes below for assembled unit



- BLACK:**  
OT-120-2-REC-BK-TCC  
OT-277-2-REC-BK-TCC
- WHITE:**  
OT-120-2-REC-WH-TCC  
OT-277-2-REC-WH-TCC



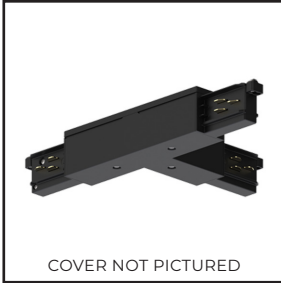
RECESSED

# Recessed Track Hardware Options

COUPLERS

## T FEED FOR 2 CIRCUIT APPLICATION - TYPE D

To be used with recessed cover, codes below for assembled unit

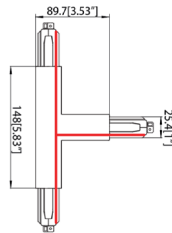


BLACK:

- OT-120-2-REC-BK-TCD
- OT-277-2-REC-BK-TCD

WHITE:

- OT-120-2-REC-WH-TCD
- OT-277-2-REC-WH-TCD



## X FEED FOR 2 CIRCUIT APPLICATION

To be used with recessed cover, codes below for assembled unit

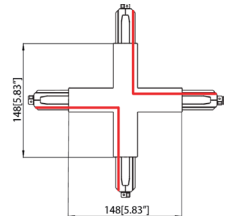


BLACK:

- OT-120-2-REC-BK-XCP
- OT-277-2-REC-BK-XCP

WHITE:

- OT-120-2-REC-WH-XCP
- OT-277-2-REC-WH-XCP



## ADJUSTABLE CORNER FOR 2 CIRCUIT APPLICATION

Compatible with all tracks



BLACK:

- OT-120-2-REC-BK-ACP
- OT-277-2-REC-BK-ACP

WHITE:

- OT-120-2-REC-WH-ACP
- OT-277-2-REC-WH-ACP

## JOINING CONNECTOR

Compatible with all tracks



BLACK:

- OT-120-2-REC-BK-JCN
- OT-277-2-REC-BK-JCN

WHITE:

- OT-120-2-REC-WH-JCN
- OT-277-2-REC-WH-JCN

ADDITIONAL ACCESSORIES

## END CAP FOR RECESSED TRACK

Compatible with recessed track



BLACK:

- OT-120-2-REC-BK-ECS
- OT-277-2-REC-BK-ECS

WHITE:

- OT-120-2-REC-WH-ECS
- OT-277-2-REC-WH-ECS

## RECESSED COVER FOR END FEED

Compatible with recessed track



IMAGE FOR REFERENCE ONLY -  
REFER TO ASSEMBLED CODE ON  
PRIOR PAGE

## RECESSED COVER FOR MIDDLE FEED

Compatible with recessed track

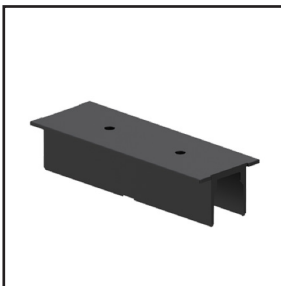


IMAGE FOR REFERENCE ONLY -  
REFER TO ASSEMBLED CODE ON  
PRIOR PAGE

## RECESSED COVER FOR L - FEED

Compatible with recessed track



IMAGE FOR REFERENCE ONLY -  
REFER TO ASSEMBLED CODE ON  
PRIOR PAGE

RECESSED

## Recessed Track Hardware Options

ADDITIONAL ACCESSORIES

RECESSED COVER FOR T FEED  
Compatible with recessed track

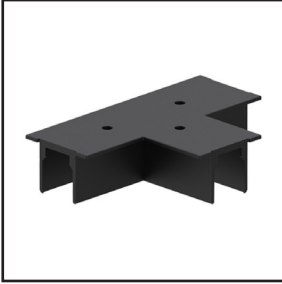


IMAGE FOR REFERENCE ONLY -  
REFER TO ASSEMBLED CODE ON  
PRIOR PAGE

RECESSED COVER FOR X- FEED  
Compatible with recessed track

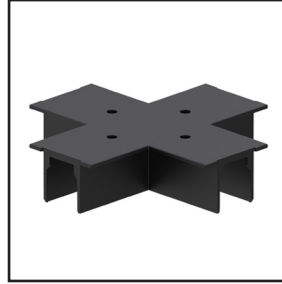


IMAGE FOR REFERENCE ONLY -  
REFER TO ASSEMBLED CODE ON  
PRIOR PAGE

MONOPOINT RECESSED  
Codes below for assembled unit



BLACK:  
OT-120-2-REC-BK-MPT  
OT-277-2-REC-BK-MPT

WHITE:  
OT-120-2-REC-WH-MPT  
OT-277-2-REC-WH-MPT

CUTTING TOOL FOR TRACK CONDUCTORS  
Compatible with all track options



BLACK:  
OT-120-2-REC-BK-CUT  
OT-277-2-REC-BK-CUT

WHITE:  
OT-120-2-REC-WH-CUT  
OT-277-2-REC-WH-CUT

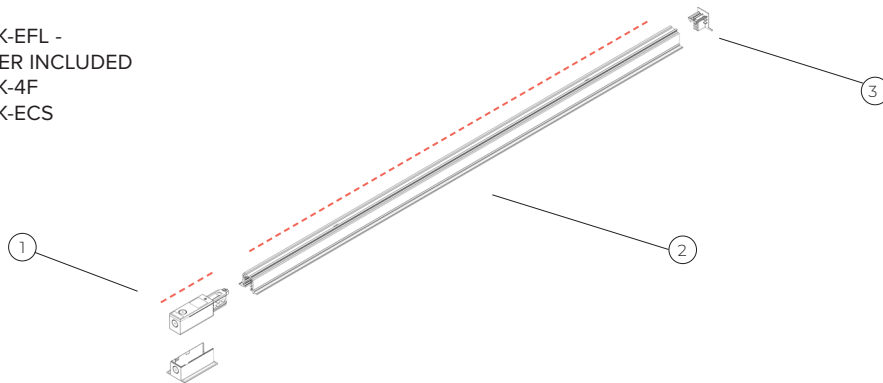
CURRENT LIMITING END FEED NOT AVAILABLE FOR RECESSED TRACK  
PLEASE SOURCE THROUGH THIRD PARTY

RECESSED

## Example layout diagrams

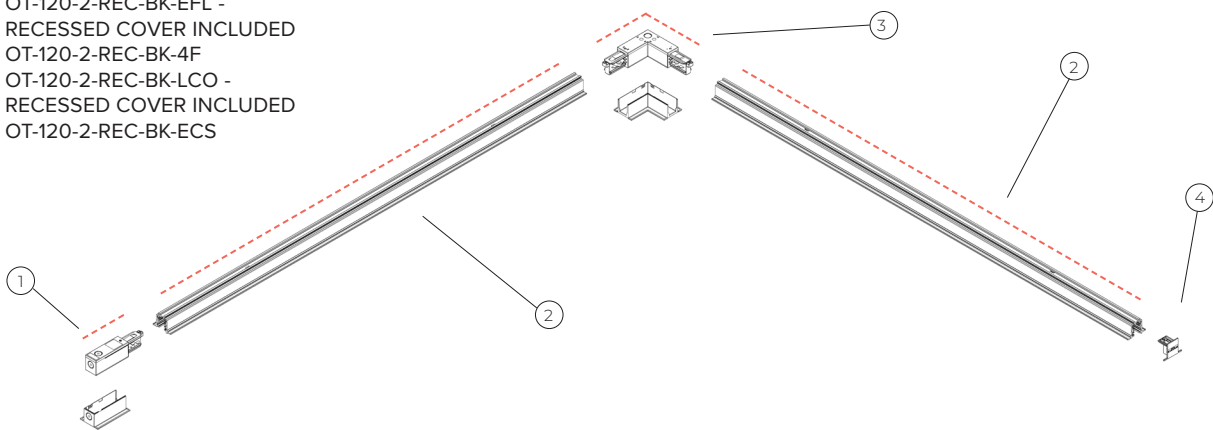
KEY:

1. OT-120-2-REC-BK-EFL - RECESSED COVER INCLUDED
2. OT-120-2-REC-BK-4F
3. OT-120-2-REC-BK-ECS



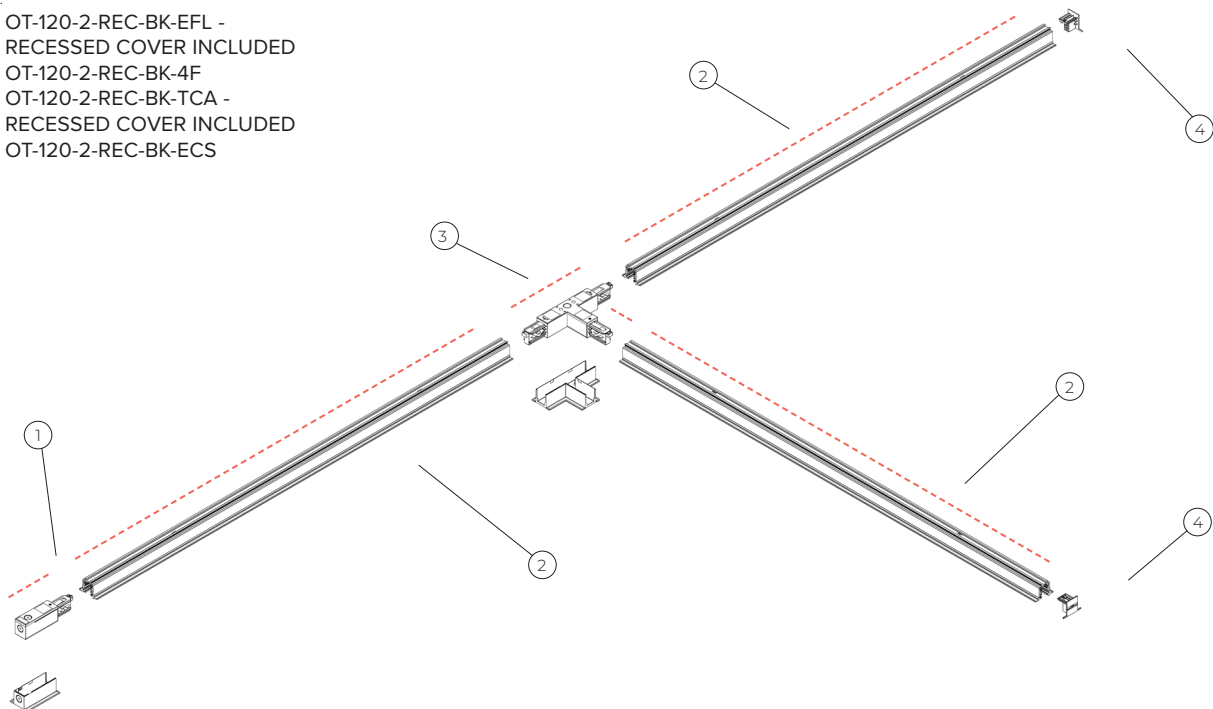
KEY:

1. OT-120-2-REC-BK-EFL - RECESSED COVER INCLUDED
2. OT-120-2-REC-BK-4F
3. OT-120-2-REC-BK-LCO - RECESSED COVER INCLUDED
4. OT-120-2-REC-BK-ECS



KEY:

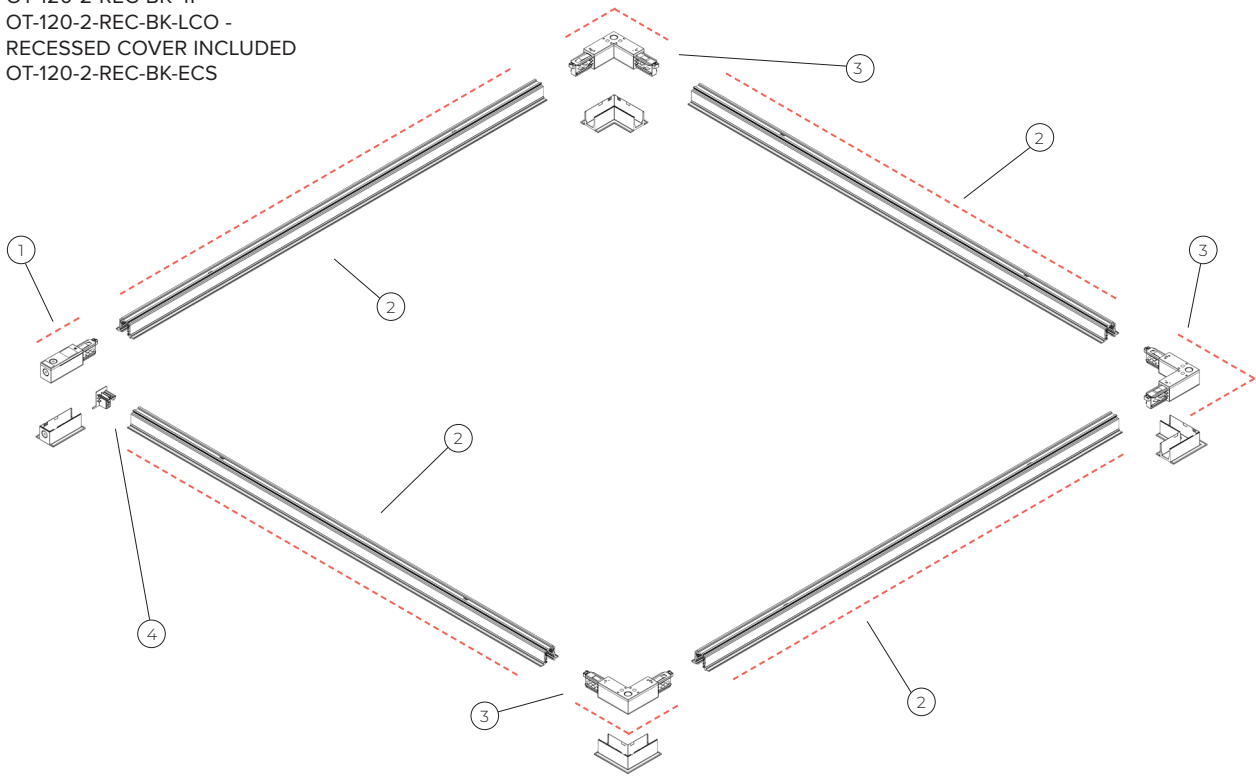
1. OT-120-2-REC-BK-EFL - RECESSED COVER INCLUDED
2. OT-120-2-REC-BK-4F
3. OT-120-2-REC-BK-TCA - RECESSED COVER INCLUDED
4. OT-120-2-REC-BK-ECS



## Example layout diagrams

KEY:

1. OT-120-2-REC-BK-EFL -  
RECESSED COVER INCLUDED
2. OT-120-2-REC-BK-4F
3. OT-120-2-REC-BK-LCO -  
RECESSED COVER INCLUDED
4. OT-120-2-REC-BK-ECS



DOTTED LINE DENOTES POLARITY KEYED SIDE OF TRACK

PLEASE ENSURE POLARITY REMAINS CONSISTENT THROUGHOUT TRACK SYSTEM

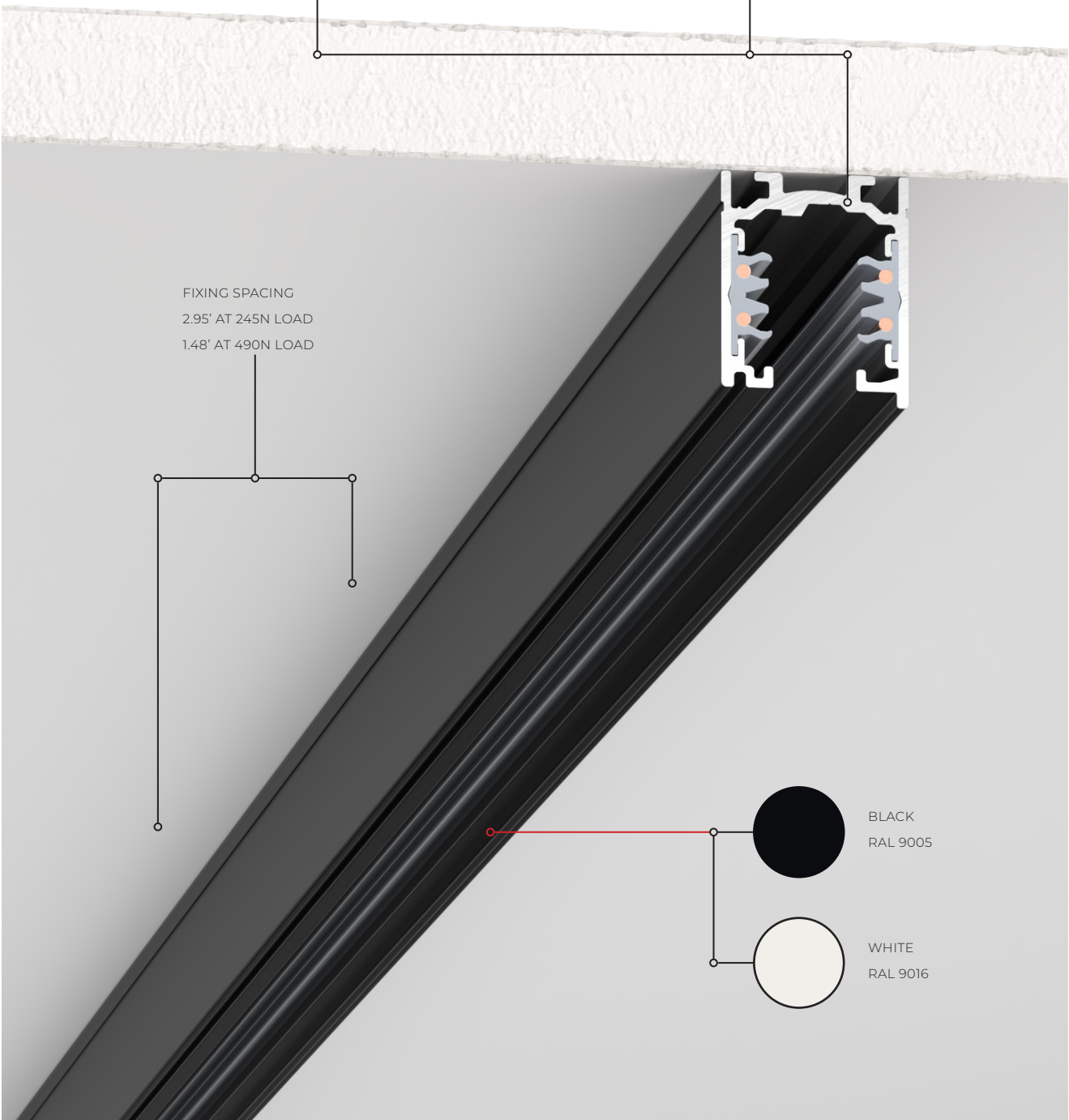
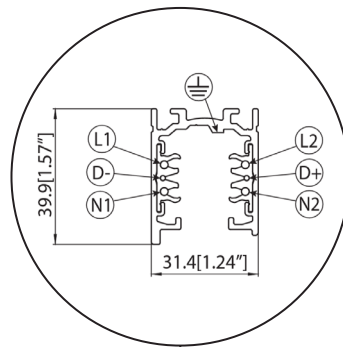
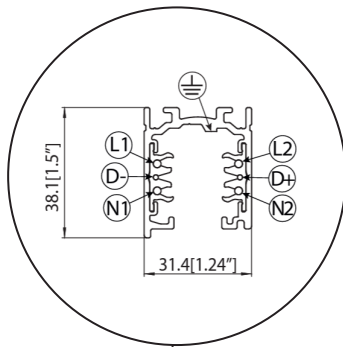


SURFACE



120V 2 CIRCUIT

277V 2 CIRCUIT



FIXING SPACING  
2.95' AT 245N LOAD  
1.48' AT 490N LOAD

- BLACK  
RAL 9005
- WHITE  
RAL 9016

# Surface Code Builder

## TRACK

TRACK	TRACK VOLTAGE	CIRCUITS	PROFILE	FINISH	LENGTH
OT - OneTrack	120 - 120V AC 277 - 277V AC	2 - 2	SUR - Surface	BK - Black WH - White	4F - 4 Foot 8F - 8 Foot 12F - 12 Foot



## ACCESSORIES

TRACK	TRACK VOLTAGE	CIRCUITS	PROFILE	FINISH	TYPE
OT - OneTrack	120 - 120V AC 277 - 277V AC	2 - 2	SUR - Surface	BK - Black WH - White	EFR - End Feed Right EFL - End Feed Left JCN - Jointing Connector ECS - End Cap MJ - Middle Joint LCI - L Coupler Inner LCO - L Coupler Outer TCA - T Coupler Type A TCB - T Coupler Type B TCC - T Coupler Type C TCD - T Coupler Type D XCP - X Coupler ACP - Adjustable Coupler MTP - Monopoint CUT - Cutting Tool for Track Conductors CLR - Current Limiting End Feed - Right CLL - Current Limiting End Feed - Left

### CODE EXAMPLE

Track: OT-120-SUR-2-BK-4F

Accessories: OT-120-SUR-2-BK-EFL

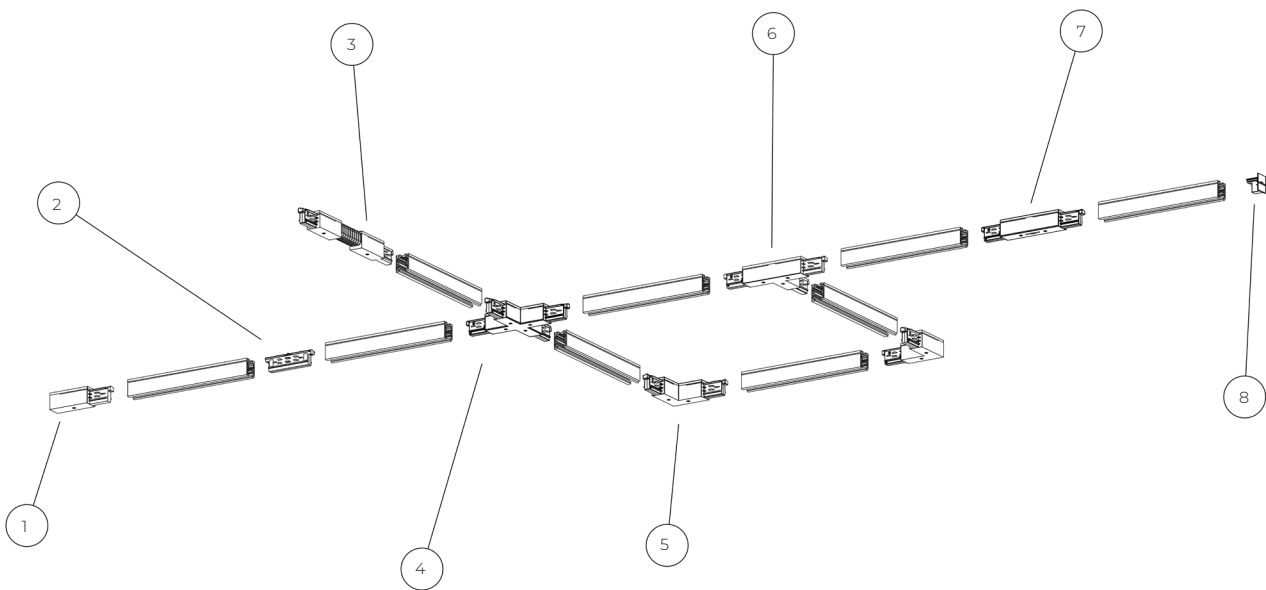
## ONETRACK UL Surface 2 Circuit Track

Stucchi OneTrack UL Surface track is available in both 2 circuit 120V and 277V AC in lengths of 4 ft or 8 ft. It is a flexible 3 phase mixed system with two additional conductors for managing general data signals like DALI or 0 - 10V (1 - 10V). It is available in black and white finishes. The external body is made up of extruded aluminium, insulated in PVC with copper conductors.

IT SUPPORTS:

L1/L2/N1/N2/ground 2x120V/20A + D+/D- 2x1A/50V FELV AC (DALI)

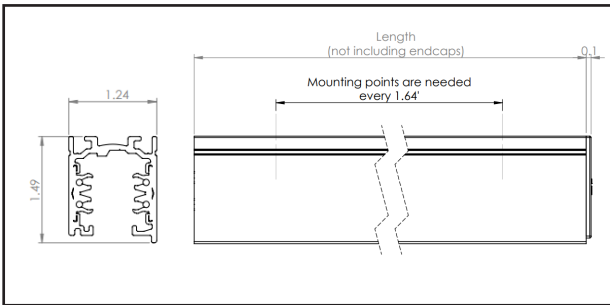
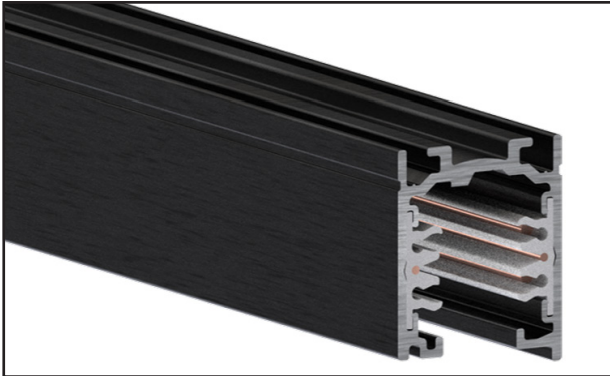
L1/L2/N1/N2/ground 2x277V/20A + D+/D- 2x1A/50V FELV AC (DALI)



KEY:

- 1. End Feed
- 2. Joining Connector - internal connector for track lengths
- 3. Adjustable Corner
- 4. X Feed
- 5. L Feed
- 6. T Feed
- 7. Middle Joint - connects track lengths
- 8. End Cap

## ONETRACK UL Surface 120V 2 Circuit



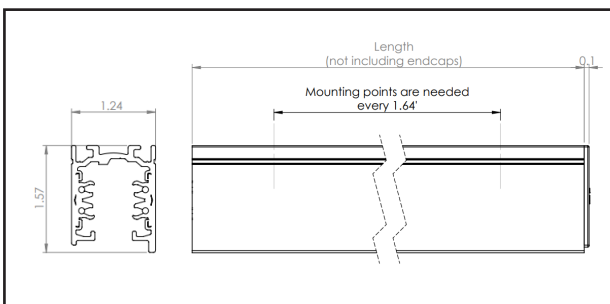
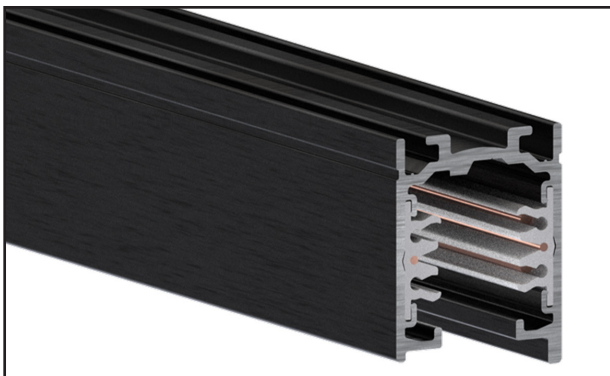
**PHYSICAL**

CONSTRUCTION MATERIALS:	Extruded aluminium profile; Insulated extruded PVC body Copper conductors
NO. CIRCUITS:	2x independent switchable circuits
DATA BUS:	Yes
WEIGHT:	2.65lbs (4 ft)
CUTTING:	Cutting to length on site possible

**ORDER CODE**

	4.0ft	8.0ft	12.0ft
White	OT-120-2-SUR-WH-4F	OT-120-2-SUR-WH-8F	OT-120-2-SUR-WH-12F
Black	OT-120-2-SUR-BK-4F	OT-120-2-SUR-BK-8F	OT-120-2-SUR-BK-12F

## ONETRACK UL Surface 277V 2 Circuit



**PHYSICAL**

CONSTRUCTION MATERIALS:	Extruded aluminium profile; Insulated extruded PVC body Copper conductors
NO. CIRCUITS:	2x independent switchable circuits
DATA BUS:	Yes
WEIGHT:	2.65lbs (4 ft)
CUTTING:	Cutting to length on site possible

**ORDER CODE**

	4.0ft	8.0ft	12.0ft
White	OT-277-2-SUR-WH-4F	OT-277-2-SUR-WH-8F	OT-277-2-SUR-WH-12F
Black	OT-277-2-SUR-BK-4F	OT-277-2-SUR-BK-8F	OT-277-2-SUR-BK-12F

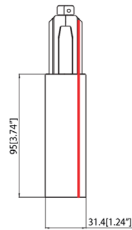
# Surface Track Hardware Options

END FEEDS

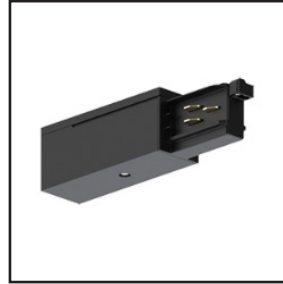
END FEED FOR 2 CIRCUIT APPLICATION - RIGHT  
Compatible with all tracks



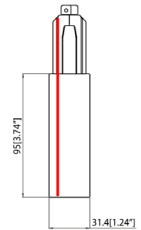
- BLACK:**  
OT-120-2-SUR-BK-EFR  
OT-277-2-SUR-BK-EFR
- WHITE:**  
OT-120-2-SUR-WH-EFR  
OT-277-2-SUR-WH-EFR



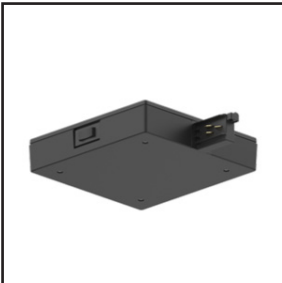
END FEED FOR 2 CIRCUIT APPLICATION - LEFT  
Compatible with all tracks



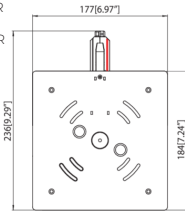
- BLACK:**  
OT-120-2-SUR-BK-EFL  
OT-277-2-SUR-BK-EFL
- WHITE:**  
OT-120-2-SUR-WH-EFL  
OT-277-2-SUR-WH-EFL



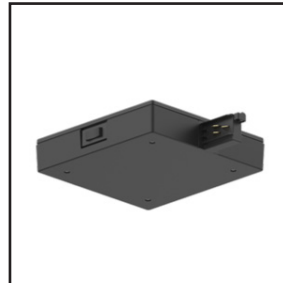
CURRENT LIMITING END FEED - RIGHT  
Breaker to be purchased separately, refer to help page



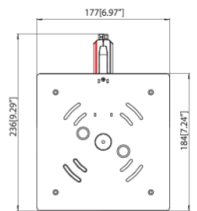
- BLACK:**  
OT-120-2-SUR-BK-CLR  
OT-277-2-SUR-BK-CLR
- WHITE:**  
OT-120-2-SUR-WH-CLR  
OT-277-2-SUR-WH-CLR



CURRENT LIMITING END FEED - LEFT  
Breaker to be purchased separately, refer to help page

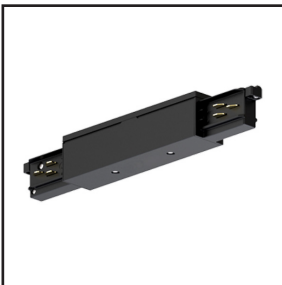


- BLACK:**  
OT-120-2-SUR-BK-CLL  
OT-277-2-SUR-BK-CLL
- WHITE:**  
OT-120-2-SUR-WH-CLL  
OT-277-2-SUR-WH-CLL

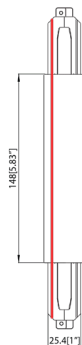


COUPLERS

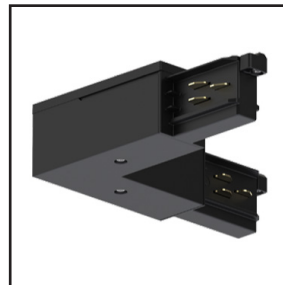
MIDDLE JOINT FOR 2 CIRCUIT APPLICATION  
Compatible with all tracks



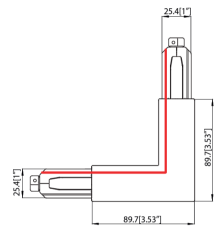
- BLACK:**  
OT-120-2-SUR-BK-MJ  
OT-277-2-SUR-BK-MJ
- WHITE:**  
OT-120-2-SUR-WH-MJ  
OT-277-2-SUR-WH-MJ



L FEED FOR 2 CIRCUIT APPLICATION - INNER  
Compatible with all tracks



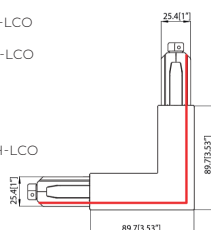
- L BLACK:**  
OT-120-2-SUR-BK-LCI  
OT-277-2-SUR-BK-LCI
- WHITE:**  
OT-120-2-SUR-WH-LCI  
OT-277-2-SUR-WH-LCI



L FEED FOR 2 CIRCUIT APPLICATION - OUTER  
Compatible with all tracks



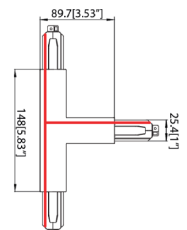
- BLACK:**  
OT-120-2-SUR-BK-LCO  
OT-277-2-SUR-BK-LCO
- WHITE:**  
OT-120-2-SUR-WH-LCO  
OT-277-2-SUR-WH-LCO



T FEED FOR 2 CIRCUIT APPLICATION - TYPE A  
Compatible with all tracks



- BLACK:**  
OT-120-2-SUR-BK-TCA  
OT-277-2-SUR-BK-TCA
- WHITE:**  
OT-120-2-SUR-WH-TCA  
OT-277-2-SUR-WH-TCA

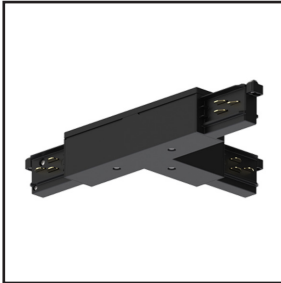


SURFACE

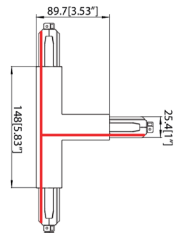
# Surface Track Hardware Options

COUPLERS

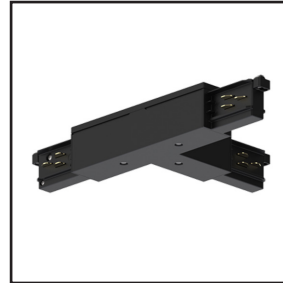
T FEED FOR 2 CIRCUIT APPLICATION - TYPE B  
Compatible with all tracks



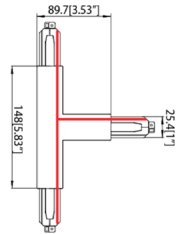
- BLACK:**  
OT-120-2-SUR-BK-TCB  
OT-277-2-SUR-BK-TCB
- WHITE:**  
OT-120-2-SUR-WH-TCB  
OT-277-2-SUR-WH-TCB



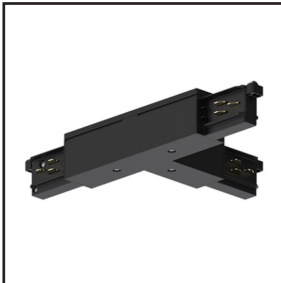
T FEED FOR 2 CIRCUIT APPLICATION - TYPE C  
Compatible with all tracks



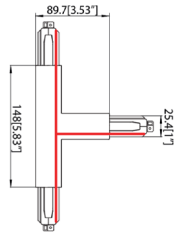
- BLACK:**  
OT-120-2-SUR-BK-TCC  
OT-277-2-SUR-BK-TCC
- WHITE:**  
OT-120-2-SUR-WH-TCC  
OT-277-2-SUR-WH-TCC



T FEED FOR 2 CIRCUIT APPLICATION - TYPE D  
Compatible with all tracks



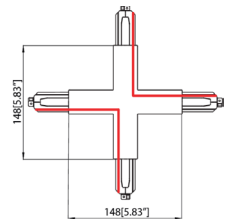
- BLACK:**  
OT-120-2-SUR-BK-TCD  
OT-277-2-SUR-BK-TCD
- WHITE:**  
OT-120-2-SUR-WH-TCD  
OT-277-2-SUR-WH-TCD



X FEED FOR 2 CIRCUIT APPLICATION  
Compatible with all tracks



- BLACK:**  
OT-120-2-SUR-BK-XCP  
OT-277-2-SUR-BK-XCP
- WHITE:**  
OT-120-2-SUR-WH-XCP  
OT-277-2-SUR-WH-XCP



ADJUSTABLE CORNER FOR 2 CIRCUIT APPLICATION  
Compatible with all tracks



- BLACK:**  
OT-120-2-SUR-BK-ACP  
OT-277-2-SUR-BK-ACP
- WHITE:**  
OT-120-2-SUR-WH-ACP  
OT-277-2-SUR-WH-ACP

JOINTING CONNECTOR  
Compatible with all tracks



- BLACK:**  
OT-120-2-SUR-BK-JCN  
OT-277-2-SUR-BK-JCN
- WHITE:**  
OT-120-2-SUR-WH-JCN  
OT-277-2-SUR-WH-JCN

ADDITIONAL ACCESSORIES

END CAP  
Compatible with all tracks



- BLACK:**  
OT-120-2-SUR-BK-ECS  
OT-277-2-SUR-BK-ECS
- WHITE:**  
OT-120-2-SUR-WH-ECS  
OT-277-2-SUR-WH-ECS

MONOPOINT

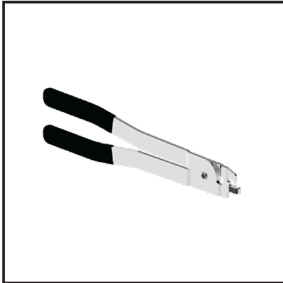


- BLACK:**  
OT-120-2-SUR-BK-MPT  
OT-277-2-SUR-BK-MPT
- WHITE:**  
OT-120-2-SUR-WH-MPT  
OT-277-2-SUR-WH-MPT

# Surface Track Hardware Options

ADDITIONAL ACCESSORIES

CUTTING TOOL FOR TRACK CONDUCTORS  
Compatible with all track options



BLACK:

OT-120-2-SUR-BK-CUT

OT-277-2-SUR-BK-CUT

WHITE:

OT-120-2-SUR-WH-CUT

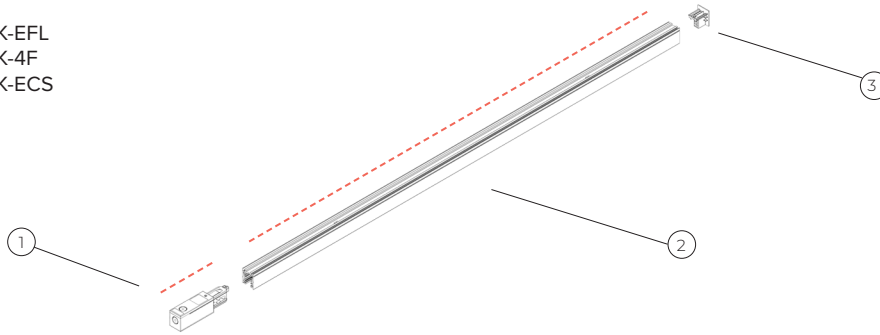
OT-277-2-SUR-WH-CUT

SURFACE

## Example layout diagrams

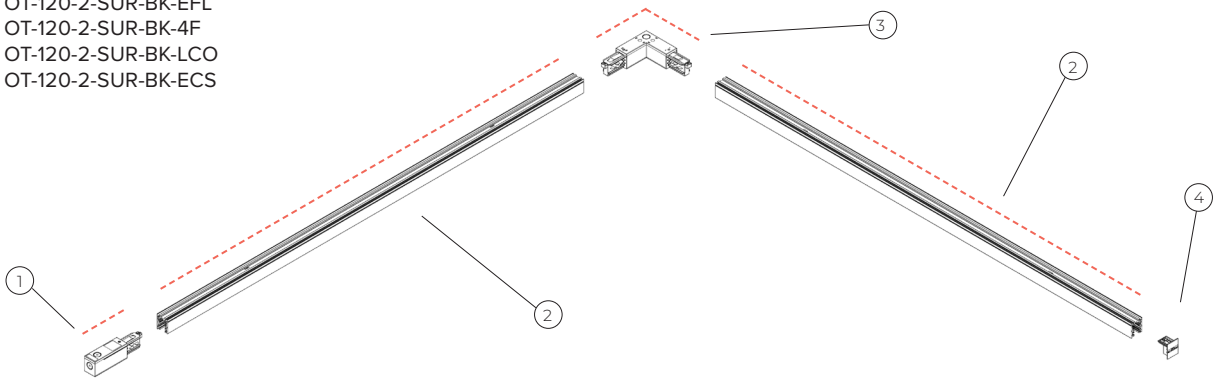
KEY:

1. OT-120-2-SUR-BK-EFL
2. OT-120-2-SUR-BK-4F
3. OT-120-2-SUR-BK-ECS



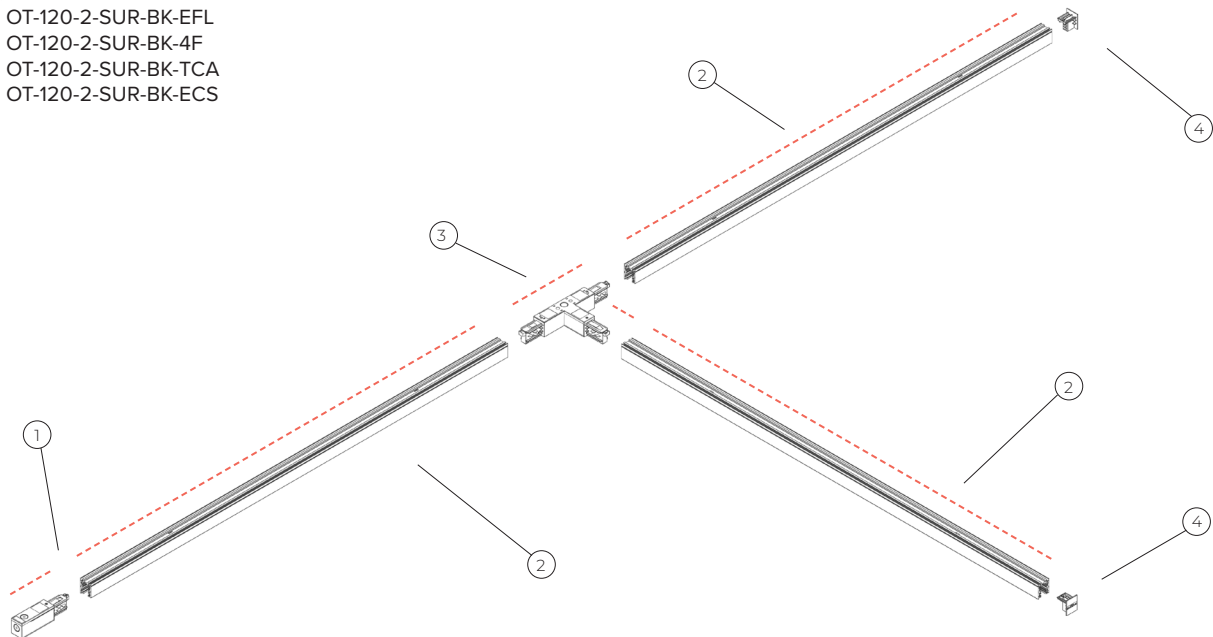
KEY:

1. OT-120-2-SUR-BK-EFL
2. OT-120-2-SUR-BK-4F
3. OT-120-2-SUR-BK-LCO
4. OT-120-2-SUR-BK-ECS



KEY:

1. OT-120-2-SUR-BK-EFL
2. OT-120-2-SUR-BK-4F
3. OT-120-2-SUR-BK-TCA
4. OT-120-2-SUR-BK-ECS

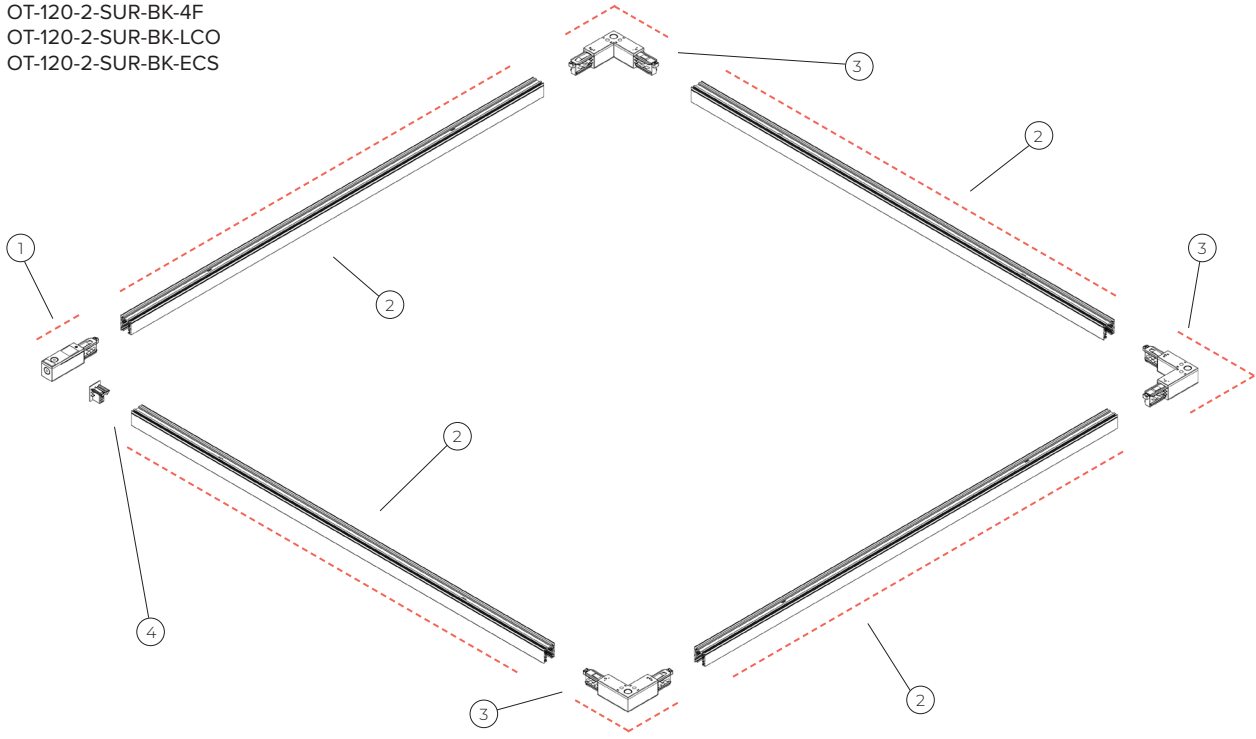




## Example layout diagrams

KEY:

1. OT-120-2-SUR-BK-EFL
2. OT-120-2-SUR-BK-4F
3. OT-120-2-SUR-BK-LCO
4. OT-120-2-SUR-BK-ECS



DOTTED LINE DENOTES POLARITY KEYED SIDE OF TRACK

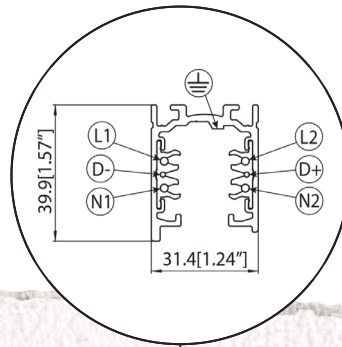
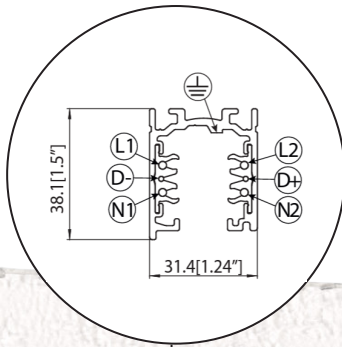
PLEASE ENSURE POLARITY REMAINS CONSISTENT THROUGHOUT TRACK SYSTEM



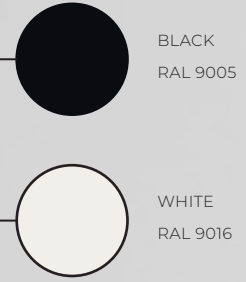
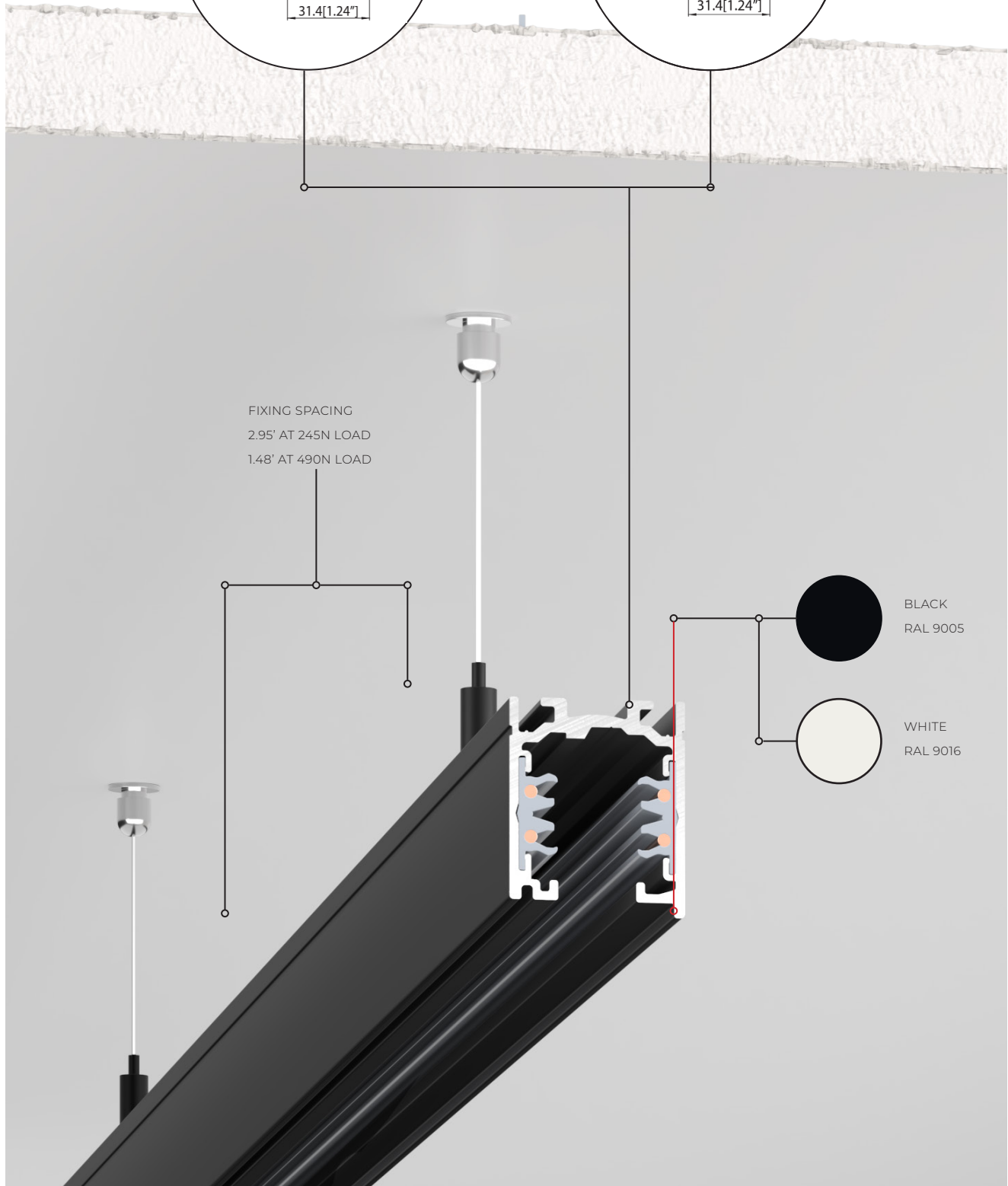
SUSPENDED

120V 2 CIRCUIT

277V 2 CIRCUIT



FIXING SPACING  
2.95' AT 245N LOAD  
1.48' AT 490N LOAD



# Suspended Code Builder

## TRACK

TRACK	TRACK VOLTAGE	CIRCUITS	PROFILE	FINISH	LENGTH
OT - OneTrack	120 - 120V AC 277 - 277V AC	2 - 2	SUS - Suspended	BK - Black WH - White	4F - 4 Foot 8F - 8 Foot 12F - 12 Foot



## ACCESSORIES

TRACK	TRACK VOLTAGE	CIRCUITS	PROFILE	FINISH	TYPE
OT - OneTrack	120 - 120V AC 277 - 277V AC	2 - 2	SUS - Suspended	BK - Black WH - White	<b>EFR</b> - End Feed Right <b>EFL</b> - End Feed Left <b>JCN</b> - Jointing Connector <b>ECS</b> - End Cap <b>MJ</b> - Middle Joint <b>LCI</b> - L Coupler Inner <b>LCO</b> - L Coupler Outer <b>TCA</b> - T Coupler Type A <b>TCB</b> - T Coupler Type B <b>TCC</b> - T Coupler Type C <b>TCD</b> - T Coupler Type D <b>XCP</b> - X Coupler <b>ACP</b> - Adjustable Coupler <b>CUT</b> - Cutting Tool for Track Conductors <b>CLR</b> - Current Limiting End Feed - Right <b>CLL</b> - Current Limiting End Feed - Left <b>SC1</b> - Steel Cable Suspension Set 36" <b>SC2</b> - Steel Cable Suspension Set 120" <b>SC11</b> - Steel Cable Suspension Set w. Cable lock 36" <b>SC12</b> - Steel Cable Suspension Set w. Cable lock 120" <b>SST</b> - Solid Stem Suspension Set <b>S47</b> - Stem 47 Inch <b>C59</b> - Cable Suspension Kit 8 1.5 <b>C118</b> - Cable Suspension Kit 8 3 <b>CPE</b> - Short Pendant Bracket for Suspension

PARTIALLY SILVER FINISH

### CODE EXAMPLE

Track: OT-120-SUS-2-BK-4F  
 Accessories: OT-120-SUS-2-BK-EFL

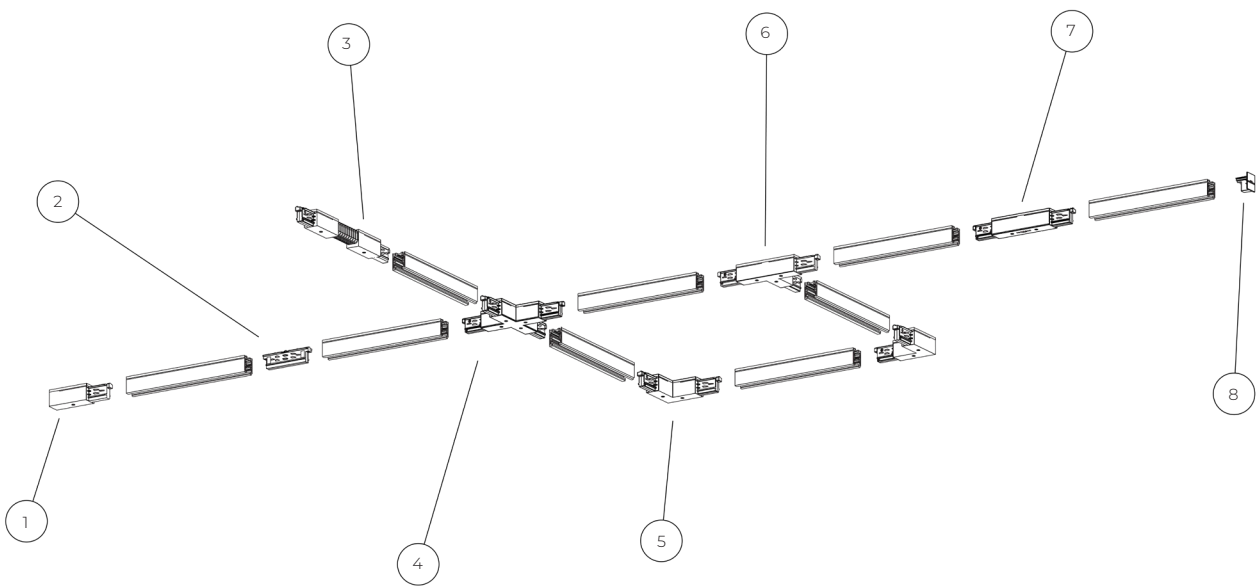
# ONETRACK UL Suspended 2 Circuit Track

Stucchi OneTrack UL Suspended track is available in both 2 circuit 120V and 277V AC in lengths of 4 ft or 8ft. It is a flexible 3 phase mixed system with two additional conductors for managing general data signals like DALI or 0 - 10V (1 – 10V). It is available in black and white finishes. The external body is made up of extruded aluminium, insulated in PVC with copper conductors.

It supports:

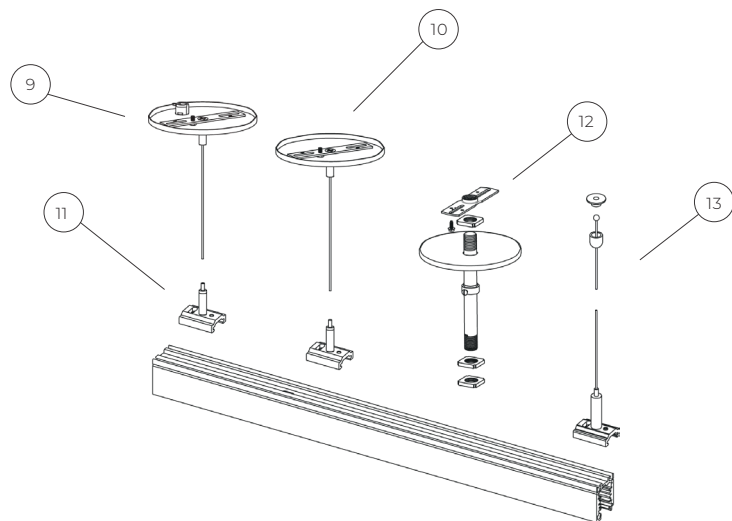
L1/L2/N1/N2/ground 2x120V/20A + D+/D- 2x1A/50V FELV AC (DALI)

L1/L2/N1/N2/ground 2x277V/20A + D+/D- 2x1A/50V FELV AC (DALI)

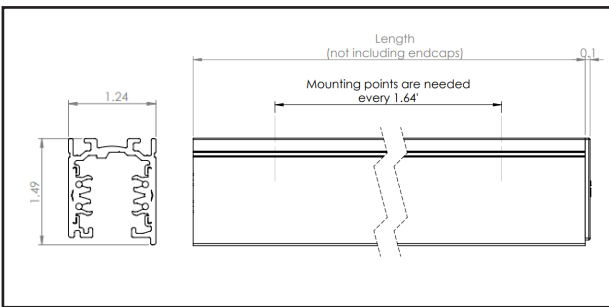
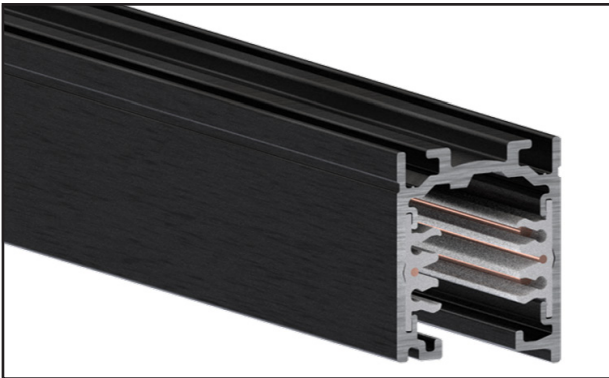


KEY:

- 1. End Feed
- 2. Joining Connector- internal connector for track lengths
- 3. Adjustable Corner
- 4. X Feed
- 5. L Feed
- 6. T Feed
- 7. Middle Joint - connects track lengths
- 8. End Cap
- 9. Steel Cable Suspension Set with Cable Lock
- 10. Steel Cable Suspension Set
- 11. Short Pendant Bracket for Suspension
- 12. Solid Stem Suspension (stem separate)
- 13. Suspension Kit 8



## ONETRACK UL Suspended 120V 2 Circuit



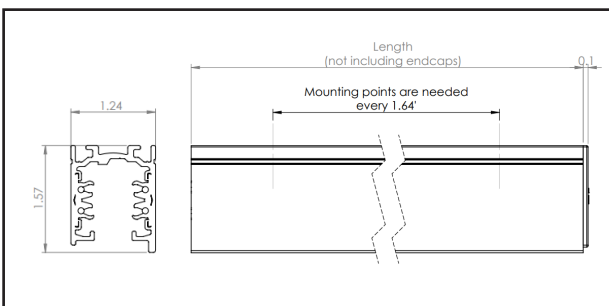
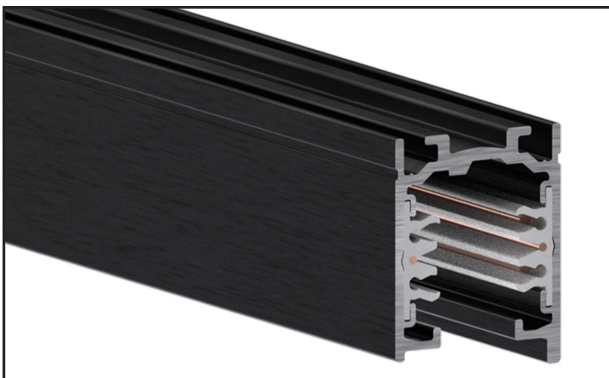
**PHYSICAL**

CONSTRUCTION MATERIALS:	Extruded aluminium profile; Insulated extruded PVC body Copper conductors
NO. CIRCUITS:	2x independent switchable circuits
DATA BUS:	Yes
WEIGHT:	2.65lbs (4 ft)
CUTTING:	Cutting to length on site possible

**ORDER CODE**

	4.0ft	8.0ft	12.0ft
White	OT-120-2-SUS-WH-4F	OT-120-2-SUS-WH-8F	OT-120-2-SUS-WH-12F
Black	OT-120-2-SUS-BK-4F	OT-120-2-SUS-BK-8F	OT-120-2-SUS-BK-12F

## ONETRACK UL Suspended 277V 2 Circuit



**PHYSICAL**

CONSTRUCTION MATERIALS:	Extruded aluminium profile; Insulated extruded PVC body Copper conductors
NO. CIRCUITS:	2x independent switchable circuits
DATA BUS:	Yes
WEIGHT:	2.65lbs (4 ft)
CUTTING:	Cutting to length on site possible

**ORDER CODE**

	4.0ft	8.0ft	12.0ft
White	OT-277-2-SUS-WH-4F	OT-277-2-SUS-WH-8F	OT-277-2-SUS-WH-12F
Black	OT-277-2-SUS-BK-4F	OT-277-2-SUS-BK-8F	OT-277-2-SUS-BK-12F

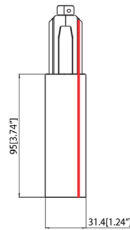
# Suspended Track Hardware Options

END FEEDS

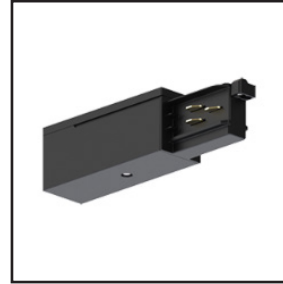
END FEED FOR 2 CIRCUIT APPLICATION - RIGHT  
Compatible with all tracks



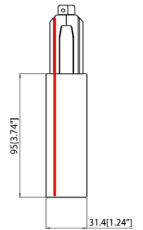
- BLACK:**  
OT-120-2-SUS-BK-EFR  
OT-277-2-SUS-BK-EFR
- WHITE:**  
OT-120-2-SUS-WH-EFR  
OT-277-2-SUS-WH-EFR



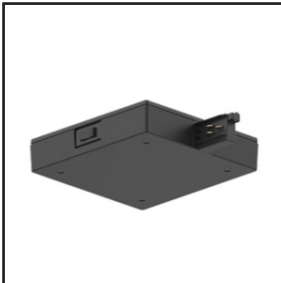
END FEED FOR 2 CIRCUIT APPLICATION - LEFT  
Compatible with all tracks



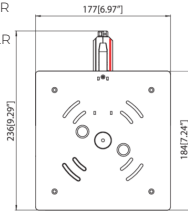
- BLACK:**  
OT-120-2-SUS-BK-EFL  
OT-277-2-SUS-BK-EFL
- WHITE:**  
OT-120-2-SUS-WH-EFL  
OT-277-2-SUS-WH-EFL



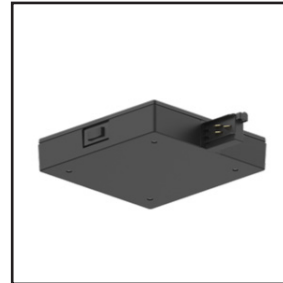
CURRENT LIMITING END FEED - RIGHT  
Breaker to be purchased separately, refer to help page



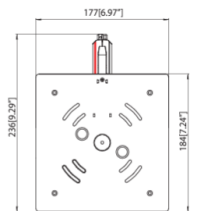
- BLACK:**  
OT-120-2-SUS-BK-CLR  
OT-277-2-SUS-BK-CLR
- WHITE:**  
OT-120-2-SUS-WH-CLR  
OT-277-2-SUS-WH-CLR



CURRENT LIMITING END FEED - LEFT  
Breaker to be purchased separately, refer to help page

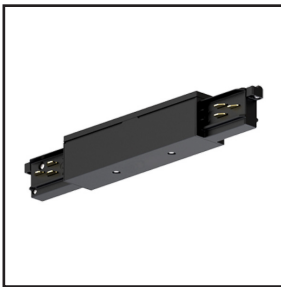


- BLACK:**  
OT-120-2-SUS-BK-CLL  
OT-277-2-SUS-BK-CLL
- WHITE:**  
OT-120-2-SUS-WH-CLL  
OT-277-2-SUS-WH-CLL

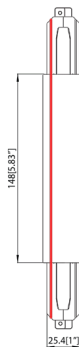


COUPLERS

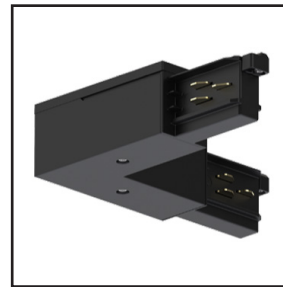
MIDDLE JOINT FOR 2 CIRCUIT APPLICATION  
Compatible with all tracks



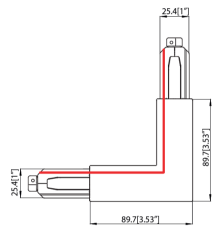
- BLACK:**  
OT-120-2-SUS-BK-MJ  
OT-277-2-SUS-BK-MJ
- WHITE:**  
OT-120-2-SUS-WH-MJ  
OT-277-2-SUS-WH-MJ



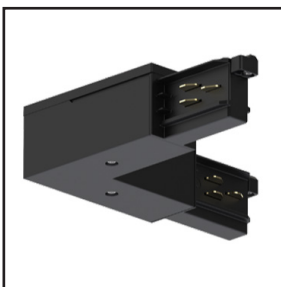
L FEED FOR 2 CIRCUIT APPLICATION - INNER  
Compatible with all tracks



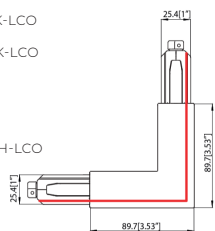
- BLACK:**  
OT-120-2-SUS-BK-LCI  
OT-277-2-SUS-BK-LCI
- WHITE:**  
OT-120-2-SUS-WH-LCI  
OT-277-2-SUS-WH-LCI



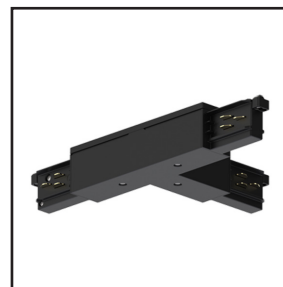
L FEED FOR 2 CIRCUIT APPLICATION - OUTER  
Compatible with all tracks



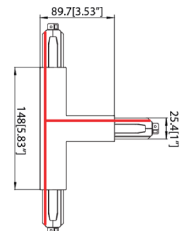
- BLACK:**  
OT-120-2-SUS-BK-LCO  
OT-277-2-SUS-BK-LCO
- WHITE:**  
OT-120-2-SUS-WH-LCO  
OT-277-2-SUS-WH-LCO



T FEED FOR 2 CIRCUIT APPLICATION - TYPE A  
Compatible with all tracks



- BLACK:**  
OT-120-2-SUS-BK-TCA  
OT-277-2-SUS-BK-TCA
- WHITE:**  
OT-120-2-SUS-WH-TCA  
OT-277-2-SUS-WH-TCA

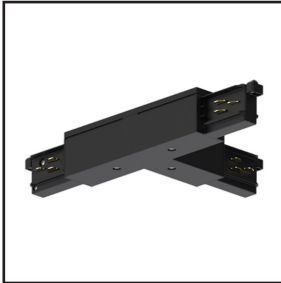


SUSPENDED

# Suspended Track Hardware Options

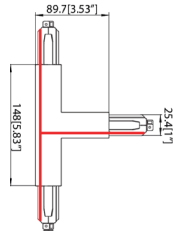
COUPLERS

T FEED FOR 2 CIRCUIT APPLICATION  
Compatible with all tracks

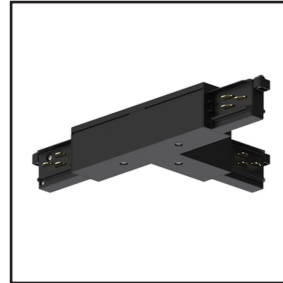


**BLACK:**  
OT-120-2-SUS-BK-TCB  
OT-277-2-SUS-BK-TCB

**WHITE:**  
OT-120-2-SUS-WH-TCB  
OT-277-2-SUS-WH-TCB

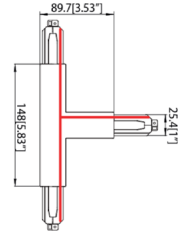


T FEED FOR 2 CIRCUIT APPLICATION  
Compatible with all tracks



**BLACK:**  
OT-120-2-SUS-BK-TCC  
OT-277-2-SUS-BK-TCC

**WHITE:**  
OT-120-2-SUS-WH-TCC  
OT-277-2-SUS-WH-TCC

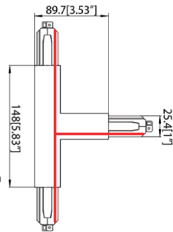


T FEED FOR 2 CIRCUIT APPLICATION  
Compatible with all tracks



**BLACK:**  
OT-120-2-SUS-BK-TCD  
OT-277-2-SUS-BK-TCD

**WHITE:**  
OT-120-2-SUS-WH-TCD  
OT-277-2-SUS-WH-TCD

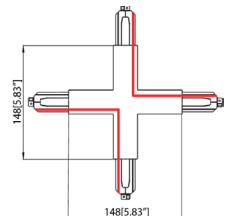


X FEED FOR 2 CIRCUIT APPLICATION  
Compatible with all tracks



**BLACK:**  
OT-120-2-SUS-BK-XCP  
OT-277-2-SUS-BK-XCP

**WHITE:**  
OT-120-2-SUS-WH-XCP  
OT-277-2-SUS-WH-XCP



ADJUSTABLE CORNER FOR 2 CIRCUIT APPLICATION  
Compatible with all tracks - 9018/B-2C - 9018/W-2C



**BLACK:**  
OT-120-2-SUS-BK-ACP  
OT-277-2-SUS-BK-ACP

**WHITE:**  
OT-120-2-SUS-WH-ACP  
OT-277-2-SUS-WH-ACP

JOINTING CONNECTOR  
Compatible with all tracks



**BLACK:**  
OT-120-2-SUS-BK-JCN  
OT-277-2-SUS-BK-JCN

**WHITE:**  
OT-120-2-SUS-WH-JCN  
OT-277-2-SUS-WH-JCN

ADDITIONAL ACCESSORIES

END CAP  
Compatible with all tracks



**BLACK:**  
OT-120-2-SUS-BK-ECS  
OT-277-2-SUS-BK-ECS

**WHITE:**  
OT-120-2-SUS-WH-ECS  
OT-277-2-SUS-WH-ECS

CUTTING TOOL FOR TRACK CONDUCTORS  
Compatible with all track options



**BLACK:**  
OT-120-2-SUS-BK-CUT  
OT-277-2-SUS-BK-CUT

**WHITE:**  
OT-120-2-SUS-WH-CUT  
OT-277-2-SUS-WH-CUT



# Suspended Track Hardware Options

SUSPENSION OPTIONS

SUSPENDED

## STEEL CABLE SUSPENSION SET Requires short pendant bracket for suspension



**BLACK:**  
36 INCH:  
OT-120-2-SUS-BK-SC1  
OT-277-2-SUS-BK-SC1  
120 INCH:  
OT-120-2-SUS-BK-SC2  
OT-277-2-SUS-BK-SC2

- INCLUDES:**
- Mounting bracket
  - Metal cup
  - Steel finish cable

**WHITE:**  
36 INCH:  
OT-120-2-SUS-WH-SC1  
OT-277-2-SUS-WH-SC1  
120 INCH:  
OT-120-2-SUS-WH-SC2  
OT-277-2-SUS-WH-SC2

⚠ PLEASE NOTE NOT ALL PARTS ARE OF BLACK/ WHITE FINISH

## STEEL CABLE SUSPENSION SET WITH CABLE LOCK Requires short pendant bracket for suspension



**BLACK:**  
36 INCH:  
OT-120-2-SUS-BK-SCL1  
OT-277-2-SUS-BK-SCL1  
120 INCH:  
OT-120-2-SUS-BK-SCL2  
OT-277-2-SUS-BK-SCL2

- INCLUDES:**
- Mounting bracket
  - Metal cup
  - Steel finish cable
  - Cable lock

**WHITE:**  
36 INCH:  
OT-120-2-SUS-WH-SCL1  
OT-277-2-SUS-WH-SCL1  
120 INCH:  
OT-120-2-SUS-WH-SCL2  
OT-277-2-SUS-WH-SCL2

⚠ PLEASE NOTE NOT ALL PARTS ARE OF BLACK/ WHITE FINISH

## SHORT PENDANT BRACKET FOR SUSPENSION To be provided as an assembly



**BLACK:**  
OT-120-2-SUS-BK-CPE  
OT-277-2-SUS-BK-CPE  
  
**WHITE:**  
OT-120-2-SUS-WH-CPE  
OT-277-2-SUS-WH-CPE

- INCLUDES:**
- Short pendant bracket
  - Automatic M5 gripper (steel finish)
  - Set screw for gripper on the bracket

⚠ PLEASE NOTE NOT ALL PARTS ARE OF BLACK/ WHITE FINISH

## SUSPENSION KIT 8 Compatible with surface and suspended track



**BLACK:**  
4 FT 9":  
OT-120-2-SUS-BK-C59  
OT-277-2-SUS-BK-C59  
9 FT 8":  
OT-120-2-SUS-BK-C118  
OT-277-2-SUS-BK-C118

**WHITE:**  
4 FT 9":  
OT-120-2-SUS-WH-C59  
OT-277-2-SUS-WH-C59  
9 FT 8":  
OT-120-2-SUS-WH-C118  
OT-277-2-SUS-WH-C118

- INCLUDES:**
- Round head ceiling attachment
  - Ø 0.06" steel finish cable with spherical end.
  - Bracket with automatic gripper

⚠ PLEASE NOTE NOT ALL PARTS ARE OF BLACK/ WHITE FINISH

# Suspended Track Hardware Options

SUSPENSION OPTIONS

## SOLID STEM SUSPENSION SET Stem to be added separately

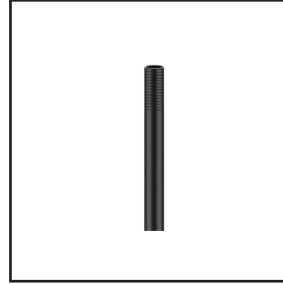


**BLACK:**  
OT-120-2-SUS-BK-SST  
OT-277-2-SUS-BK-SST

**WHITE:**  
OT-120-2-SUS-WH-SST  
OT-277-2-SUS-WH-SST

- INCLUDES:**
- Crossbar
  - Metal cup
  - Mounting bracket

## STEM To be added to Solid Stem Suspension Set



**BLACK:**  
47":  
OT-120-2-SUS-BK-S47  
OT-277-2-SUS-BK-S47

**WHITE:**  
47":  
OT-120-2-SUS-WH-S47  
OT-277-2-SUS-WH-S47

SUSPENDED

## Suspension Loading Information

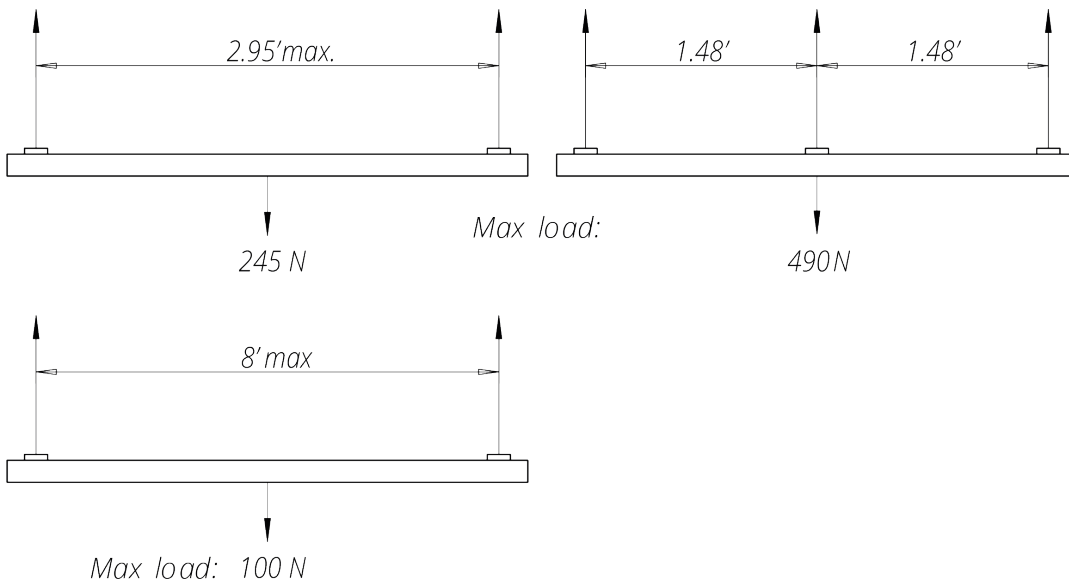


TABLE OF RCL FIXTURE WEIGHTS:

FIXTURE	WEIGHT
DRX1	11.8N
DRX2	18.7N

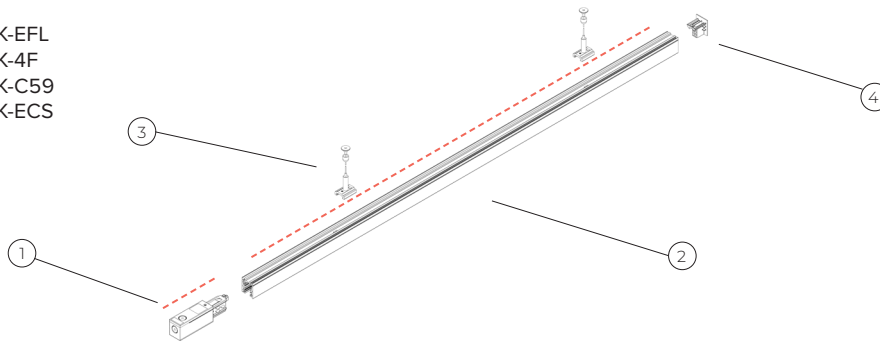
KEY POINTS:

- Read all instructions.
- Do not install this track in damp or wet locations.
- Do not install any part of a track system less than 5ft above the floor.
- Do not install any fixture assembly closer than 6in from any curtain or similar combustible material.
- Disconnect electrical power before adding to or changing the configuration of the track.
- Do not attempt to energize anything other than lighting track fixtures on the track.
- To reduce the risk of fire and electrical shock, do not attempt to connect any power tools, extension cords, appliances, or the like to the track.
- The system is UL 1574 certified and its installation must be done by specialized personnel only.
- The track can be surface mounted using the mounting holes on the track, hanging by suspension or recessed without exceeding the maximum loads.

## Example layout diagrams

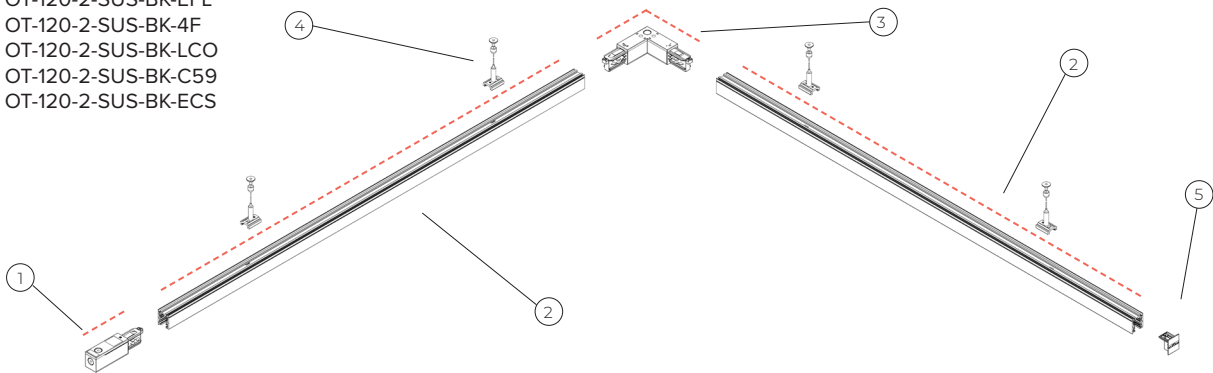
KEY:

1. OT-120-2-SUS-BK-EFL
2. OT-120-2-SUS-BK-4F
3. OT-120-2-SUS-BK-C59
4. OT-120-2-SUS-BK-ECS



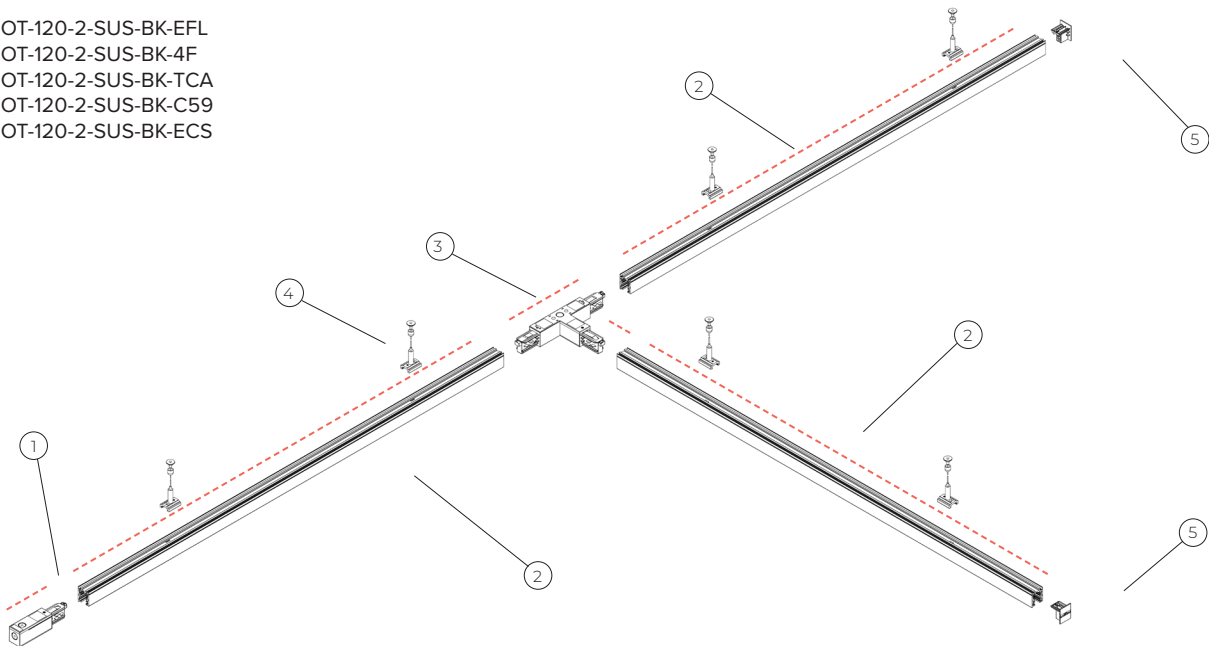
KEY:

1. OT-120-2-SUS-BK-EFL
2. OT-120-2-SUS-BK-4F
3. OT-120-2-SUS-BK-LCO
4. OT-120-2-SUS-BK-C59
5. OT-120-2-SUS-BK-ECS



KEY:

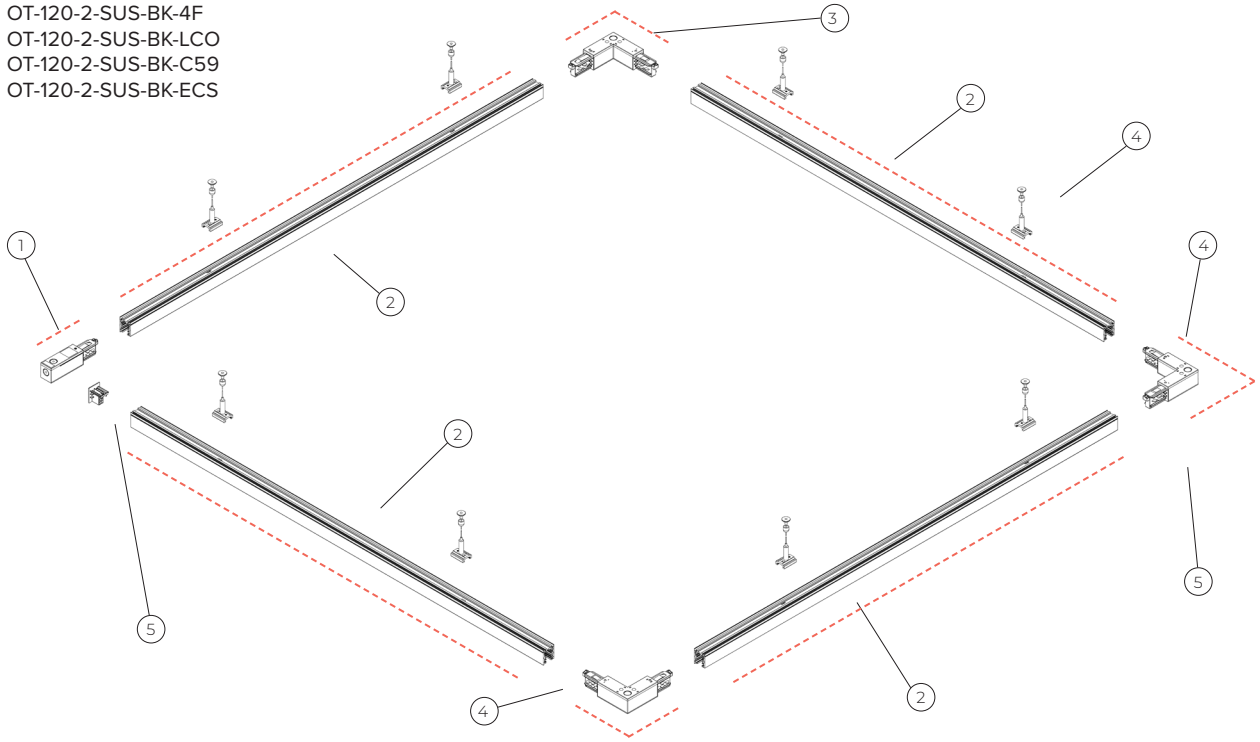
1. OT-120-2-SUS-BK-EFL
2. OT-120-2-SUS-BK-4F
3. OT-120-2-SUS-BK-TCA
4. OT-120-2-SUS-BK-C59
5. OT-120-2-SUS-BK-ECS



## Example layout diagrams

KEY:

1. OT-120-2-SUS-BK-EFL
2. OT-120-2-SUS-BK-4F
3. OT-120-2-SUS-BK-LCO
4. OT-120-2-SUS-BK-C59
5. OT-120-2-SUS-BK-ECS

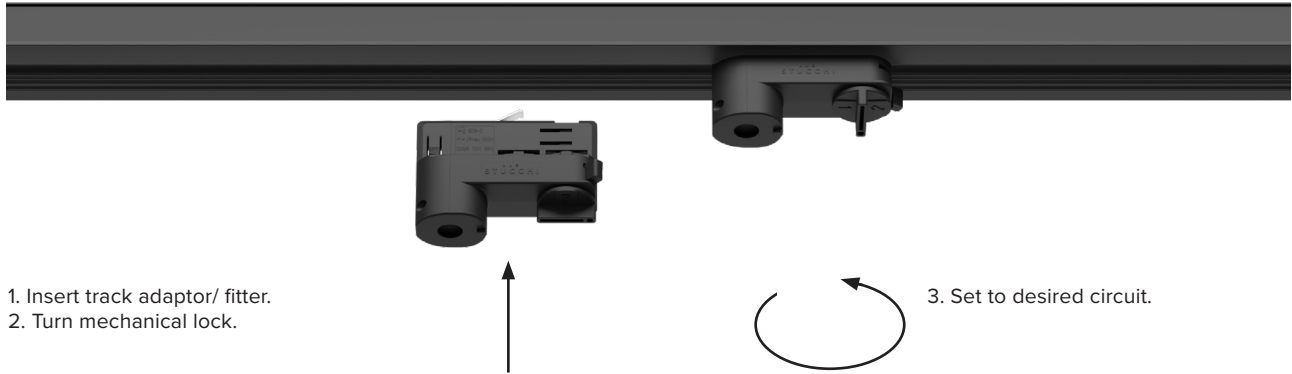


DOTTED LINE DENOTES POLARITY KEYED SIDE OF TRACK

PLEASE ENSURE POLARITY REMAINS CONSISTENT THROUGHOUT TRACK SYSTEM

# General Technical Information

## INSERTING TRACK ADAPTOR/ FITTER

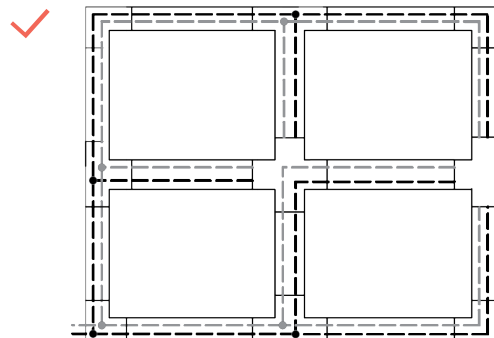
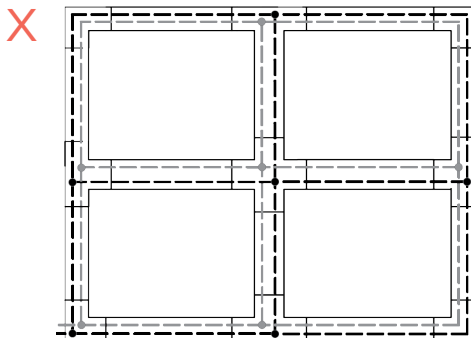
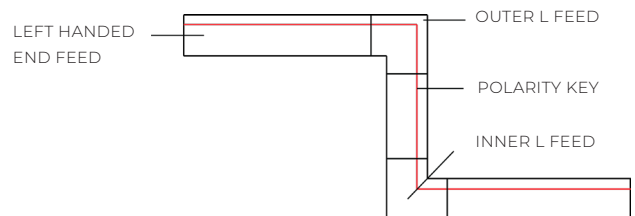
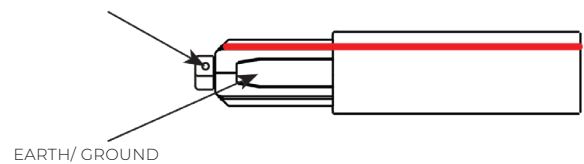


## POLARITY

Consistent polarity must be kept throughout the circuit. Please ensure that the data bus wiring does not create a ring structure. A failure free data bus cannot be ensured if one is present. If the track installation requires the use of 'L' 'T' or 'X' shaped joints, it is possible to disconnect the data bus in these joints to avoid creating a ring structure.

If the track requires L T or X joints polarity must be observed throughout the system. The track power feeds and inter connectors have markings for D+ & D-. For DALI installations the luminaires are themselves not polarity sensitive however you must ensure the data bus wiring does not create a ring structure. For 1-10V installations the luminaires are polarity sensitive, you must ensure the data bus wiring does not create a ring structure and that polarity is maintained in relation to the polarity key on the track by using left handed / right handed, internal and external connectors. If the track installation requires the use of L T or X joints, it is possible to disconnect the data bus in these joints to avoid creating a ring. Pay attention at joints between track sections that the polarity key feature is on the same side across tracks. Miss-wiring will result in a short or sections of non-controllable lights.

### SCREW/ POLARITY

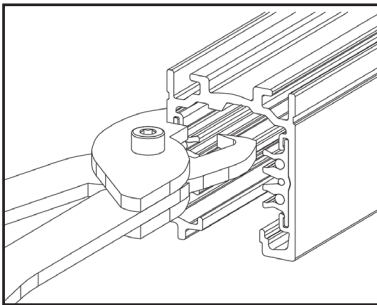


# General Technical Information

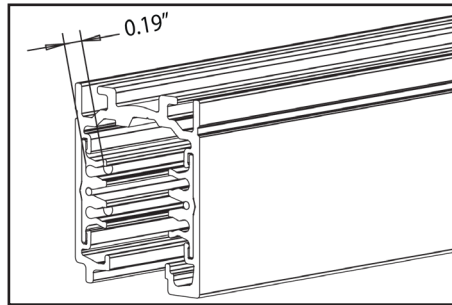
## IMPORTANT TRACK INSTALLATION DIRECTIONS

### CONDUCTOR PREPARATION

The track bars with length 4'-8'-12'\* (12' not available in recessed and trimless version) are provided with the copper conductors already recessed, in compliance with the relevant safety standard. If it is necessary to shorten the track during installation this operation must be done with a tool intended for cutting aluminium. After cutting operation it is necessary to bend the power conductors with the CUT tool to recess the 4 power conductors at least of 0,196" so that the correct air, surface and electrical distances are respected



RECESSING TRACK  
CONDUCTORS



MINIMUM RECESSING

### CURRENT LIMITERS

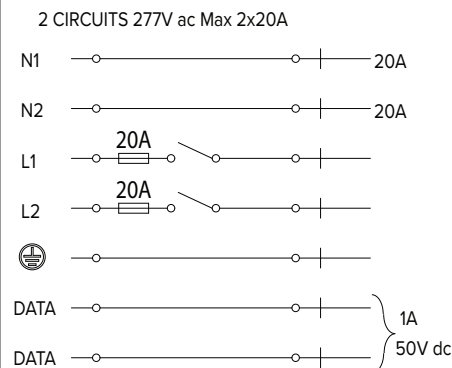
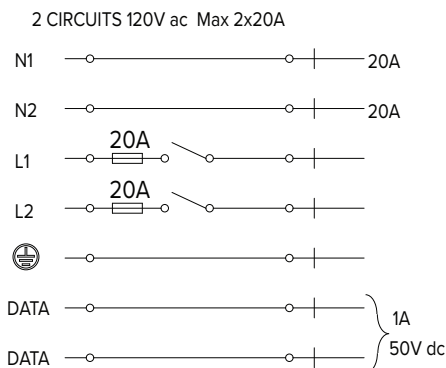
Current limiters are intended to be installed at track feed locations in place of a standard non-limiting feed. These feeds incorporate a circuit breaker which are designed to limit available wattage to the track. This lets you optimize the potential of line-voltage track lighting without being penalized by watts-per-foot code calculations.

These current limiters are rated at 20A. They are supplied bare with circuit breakers to be purchased separately.

Suitable circuit breakers for our Current Limiting End Feeds:

120V Carling Technologies Series M

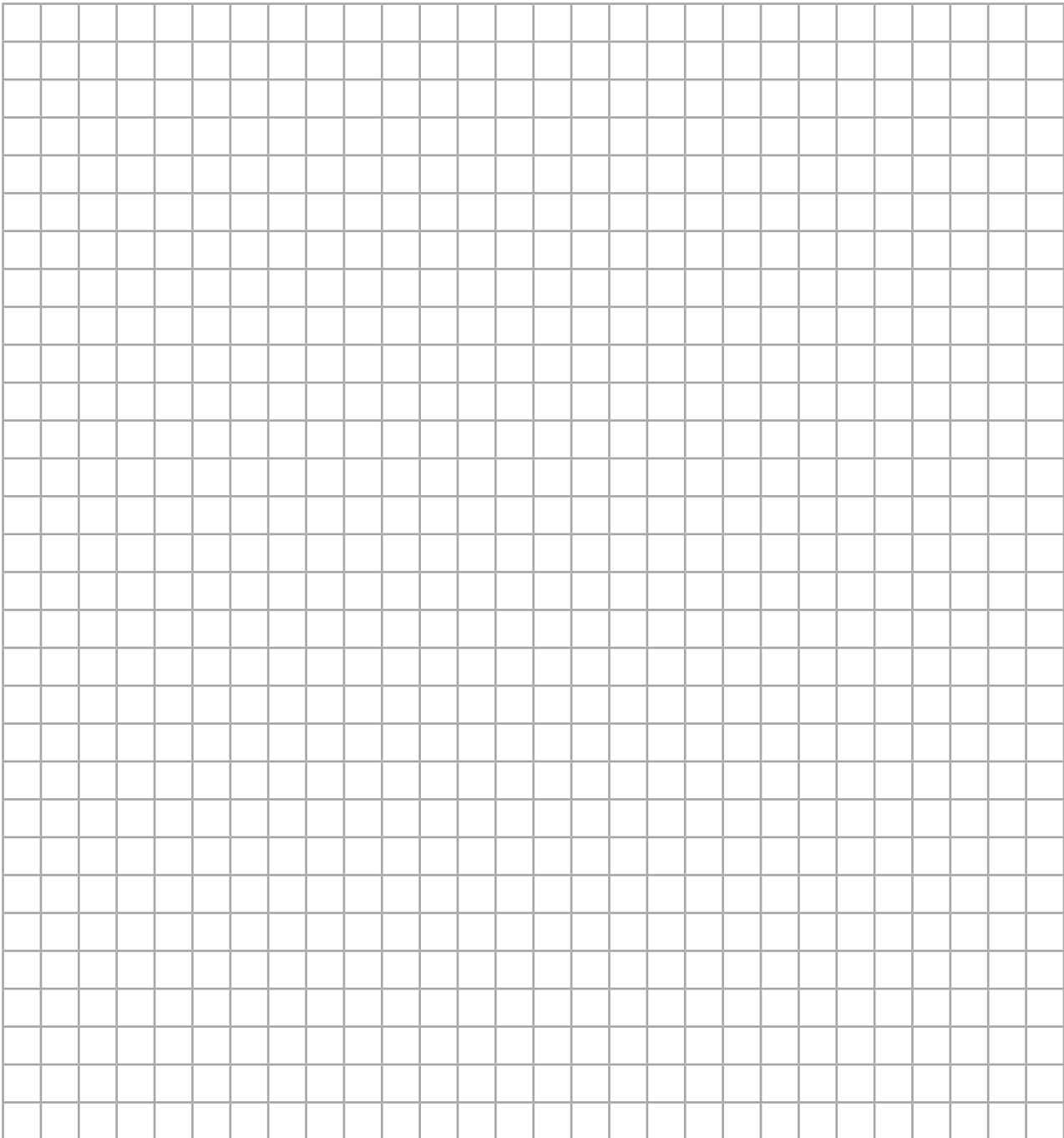
277V Carling Technologies Series A  
Sensata Technologies IUGZX



## ONETRACK SYSTEM SKETCH GRID

Use grid below to sketch out details of the OneTrack Track System. Include as many details as possible such as:

- Shape
- Dimensions of each leg
- Location of Power Feeds
- Location and Type of Track Modules (Directional, Ambient, Track Heads)
- Ceiling Thickness (for Trimless Tracks)







## CONTACT US

224.333.6033  
info@luminii.com  
luminii.com

### NILES OFFICE

7777 Merrimac Ave.  
Niles, IL 60714  
403.216.7043

### COOKEVILLE OFFICE

1093 Volunteer Dr.  
Cookeville, TN 38506  
931.528.1052

### CALGARY OFFICE

302 50 Ave SE. Calgary, AB T2G 2A9  
Canada  
403.216.7043

### LONDON OFFICE

42 Riverside Road London, United  
Kingdom SW17 0BA  
020.8947.6616